

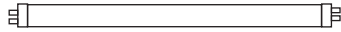


SPECIFICATION SHEET : **WHSG8-UNV-T8SL**

This Is An Original Product From Fulham Co., Inc

Description : WORKHORSE Specifier Grade Series Electronic Ballast, Drop In Replacement for Magnetic Ballast, Parallel Lamp Operation, THD Less Than 10%

This Ballast Will Operate Following Lamps.

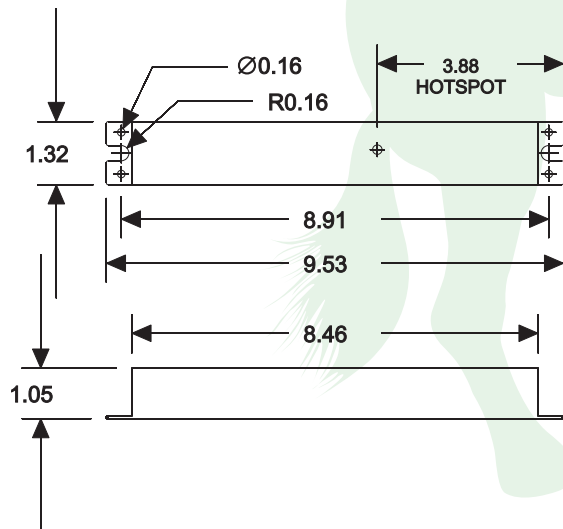


F96T8, F96T8HO

ELECTRICAL DATA (120V APPLICATION)

INPUT VOLT: 120V ± 10%, 50/60Hz									
LAMP WATTS/TYPE	F96T8	F96T8HO	F96T8	-	-	-	-	-	-
LAMPS OPERATED	1		2						
INPUT WATTS	67	95	109						
LINE CURRENT:	0.56	0.79	0.91						
POWER FACTOR	0.99	0.99	0.99						
BALLAST FACTOR	1.15	0.98	0.99						
EFFICACY FACTOR	1.72	1.03	0.90						
THD	5%	5%	5%						
CURRENT CREST FACTOR	< 1.7								
EMI/RFI COMPLIANCE	FCC PART 18-A								
SOUND RATING	" A "								
BALLAST TYPE	INSTANT START								
VOLTAGE TRANSIENTS	ANSI C82.11 - 1993								
INPUT/PROTECTION	FUSE								
OUTPUT/PROTECTION	EOL								
MIN. OPERATING TEMP	0 °C (32 ° F)								
MAX. CASE TEMP	70 °C (158 ° F)								
TYPE "HL" APPROVAL	APPROVED FOR HAZARDOUS LOCATION								
ENERGY STAR 4.0	-								
APPROVALS/CLASS	UL /cUL LISTED, CLASS " P ", 1 OUTDOOR								
REMOTE MOUNTING	18 FT MAX.								

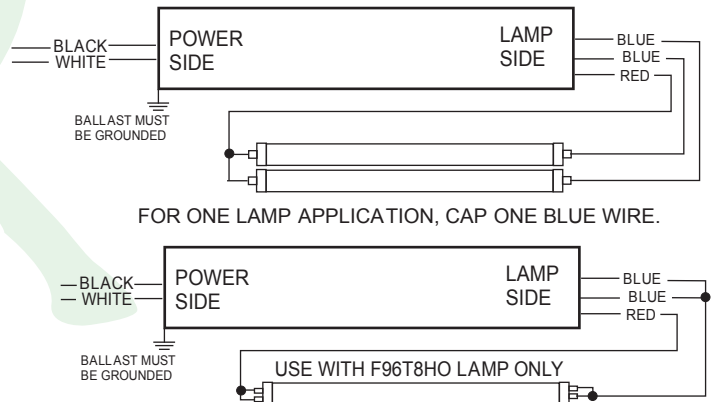
MECHANICAL DATA



Where : L = Length, W = Width, H = Height

WIRING DIAGRAMS

WIRE	BLACK	WHITE	RED	BLUE	YELLOW	BROWN
LENGTH - INCHES	25 ± 1"	25 ± 1"	79 ± 1"	46 ± 1"		



NOTE : This Ballast Case Must Be Grounded

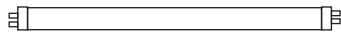


SPECIFICATION SHEET : **WHSG8-UNV-T8SL**

This Is An Original Product From Fulham Co., Inc

Description : WORKHORSE Specifier Grade Series Electronic Ballast, Drop In Replacement for Magnetic Ballast, Parallel Lamp Operation, THD Less Than 10%

This Ballast Will Operate Following Lamps.

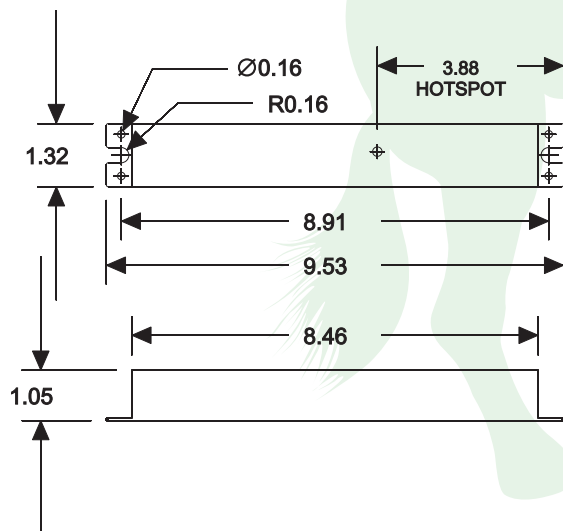


F96T8, F96T8HO

ELECTRICAL DATA (230V APPLICATION)

INPUT VOLT: 230V ± 10%, 50/60Hz									
LAMP WATTS/TYPE	F96T8	F96T8HO	F96T8	-	-	-	-	-	-
LAMPS OPERATED	1		2						
INPUT WATTS	66	93	107						
LINE CURRENT:	0.30	0.41	0.47						
POWER FACTOR	0.98	0.98	0.99						
BALLAST FACTOR	1.15	0.98	0.99						
EFFICACY FACTOR	1.73	1.05	0.92						
THD	8%	8%	8%						
CURRENT CREST FACTOR	< 1.7								
EMI/RFI COMPLIANCE	FCC PART 18-A								
SOUND RATING	" A "								
BALLAST TYPE	INSTANT START								
VOLTAGE TRANSIENTS	ANSI C82.11 - 1993								
INPUT/PROTECTION	FUSE								
OUTPUT/PROTECTION	EOL								
MIN. OPERATING TEMP	0 °C (32 ° F)								
MAX. CASE TEMP	70 °C (158 ° F)								
TYPE "HL" APPROVAL	APPROVED FOR HAZARDOUS LOCATION								
ENERGY STAR 4.0	-								
APPROVALS/CLASS	UL /cUL LISTED, CLASS " P ", 1 OUTDOOR								

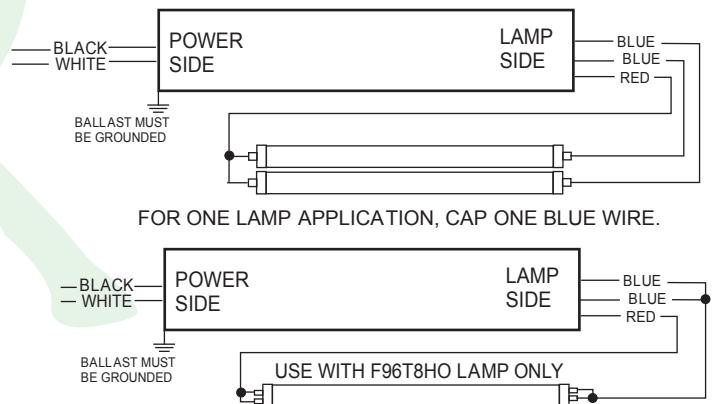
MECHANICAL DATA



Where : L = Length, W = Width, H = Height

WIRING DIAGRAMS

WIRE	BLACK	WHITE	RED	BLUE	YELLOW	BROWN
LENGTH - INCHES	25 ± 1"	25 ± 1"	79 ± 1"	46 ± 1"		



NOTE : This Ballast Case Must Be Grounded

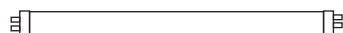


SPECIFICATION SHEET : **WHSG8-UNV-T8SL**

This Is An Original Product From Fulham Co., Inc

Description : WORKHORSE Specifier Grade Series Electronic Ballast, Drop In Replacement for Magnetic Ballast, Parallel Lamp Operation, THD Less Than 10%

This Ballast Will Operate Following Lamps.

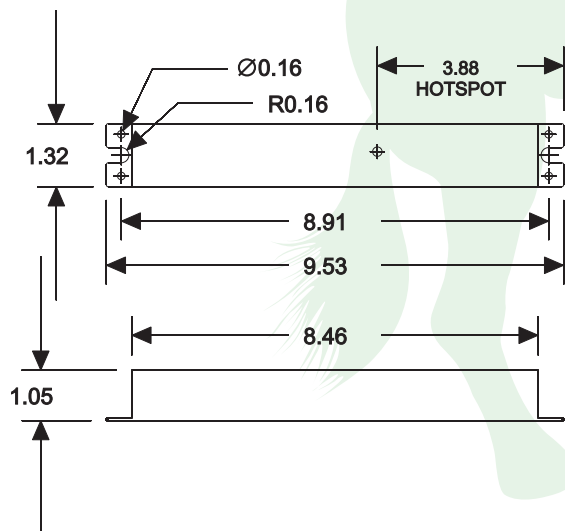


F96T8, F96T8HO

ELECTRICAL DATA (277V APPLICATION)

INPUT VOLT: 277V ± 10%, 50/60Hz									
LAMP WATTS/TYPE	F96T8	F96T8HO	F96T8	-	-	-	-	-	-
LAMPS OPERATED	1		2						
INPUT WATTS	66	93	107						
LINE CURRENT:	0.25	0.34	0.39						
POWER FACTOR	0.96	0.98	0.98						
BALLAST FACTOR	1.15	0.98	0.99						
EFFICACY FACTOR	1.73	1.05	0.92						
THD	10%	9%	9%						
CURRENT CREST FACTOR	< 1.7								
EMI/RFI COMPLIANCE	FCC PART 18-A								
SOUND RATING	" A "								
BALLAST TYPE	INSTANT START								
VOLTAGE TRANSIENTS	ANSI C82.11 - 1993								
INPUT/PROTECTION	FUSE								
OUTPUT/PROTECTION	EOL								
MIN. OPERATING TEMP	0 °C (32 ° F)								
MAX. CASE TEMP	70 °C (158 ° F)								
TYPE "HL" APPROVAL	APPROVED FOR HAZARDOUS LOCATION								
ENERGY STAR 4.0	-								
APPROVALS/CLASS	UL /cUL LISTED, CLASS " P ", 1 OUTDOOR								

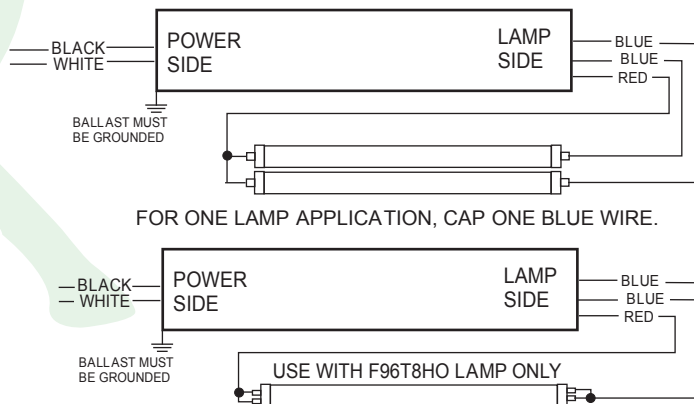
MECHANICAL DATA



Where : L = Length, W = Width, H = Height

WIRING DIAGRAMS

WIRE	BLACK	WHITE	RED	BLUE	YELLOW	BROWN
LENGTH - INCHES	25 ± 1"	25 ± 1"	79 ± 1"	46 ± 1"		



NOTE : This Ballast Case Must Be Grounded