



SPECIFICATION SHEET : WH2-230-L

This Is An Original Product From Fulham Co., Inc

Description : WorkHorse Series Versatile, Solid State Electronic Ballast. Small Case Size, High Power Factor, Light Weight, Available In 120/230/277V 50/60 Hz.

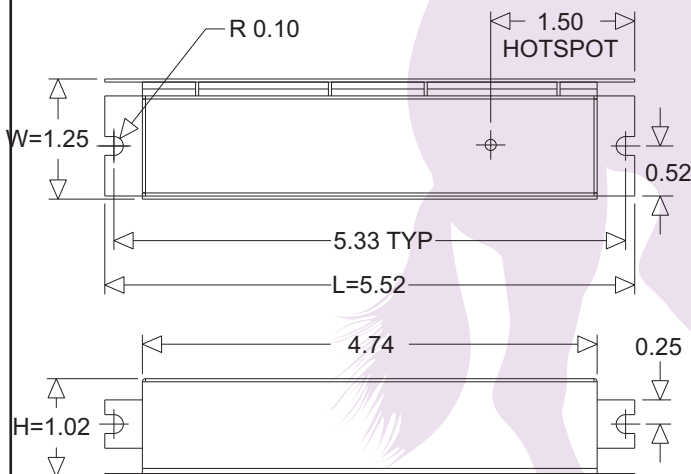
This Ballast Will Operate Following Lamps.

REFER TO LAMP WATTS/TYPE

ELECTRICAL DATA (230V APPLICATION)

INPUT VOLT: 230V ± 10% , 50/60Hz					
LAMP WATTS/TYPE	LAMPS OPERATED	INPUT WATTS	LINE CURRENT	BALLAST FACTOR	EFFICACY FACTOR
F8T5	1	11	0.09	1.0	9.6
F14T5	1	16	0.13	1.0	6.2
F21T5	1	22	0.16	0.9	4.3
F28T5	1	29	0.26	0.9	3.2
F8T5	2	16	0.12	0.8	5.3
F14T5	2	25	0.19	0.8	3.3
F21T5	2	35	0.25	0.8	2.3
POWER FACTOR	> 0.5				
THD	< 155.2 %				
CURRENT CREST FACTOR	< 1.7				
EMI/RFI COMPLIANCE	FCC PART 18-A				
SOUND RATING	" A "				
BALLAST TYPE	INSTANT START				
VOLTAGE TRANSIENTS	ANSI C82.11 - 1993				
INPUT/PROTECTION	FUSE				
MIN. OPERATING TEMP	- 30 °C (- 20 °F)				
MAX. CASE TEMP	70 °C (158 °F)				
APPROVALS/CLASS	UL LISTED, CLASS " P ", 1 OR 2 OUTDOOR				

MECHANICAL DATA



Where : L = Length, W = Width, H = Height

WIRING DIAGRAMS

WIRE	BLACK	WHITE	RED	BLUE	YELLOW	BROWN
LENGTH - INCHES	12 ± 1"	12 ± 1"	36 ± 1"	-	36 ± 1"	-

FOR WIRING DIAGRAM,
PLEASE REFER TO FULHAM'S CATALOG

NOTE : This Ballast Must Be Grounded

Fulham extends a limited warranty only to the original purchaser or to the first user for a period of 5 years from the date of manufacture when properly installed and operated under normal conditions of use. For complete terms and conditions, please reference the Fulham product catalog (www.fulham.com)
Due to a program of continuous improvement, Fulham reserves the right to make modifications or variations in design or construction to the equipment described.



SPECIFICATION SHEET : WH2-230-L

This Is An Original Product From Fulham Co., Inc

Description : WorkHorse Series Versatile, Solid State Electronic Ballast. Small Case Size, High Power Factor, Light Weight, Available In 120/230/277V 50/60 Hz.

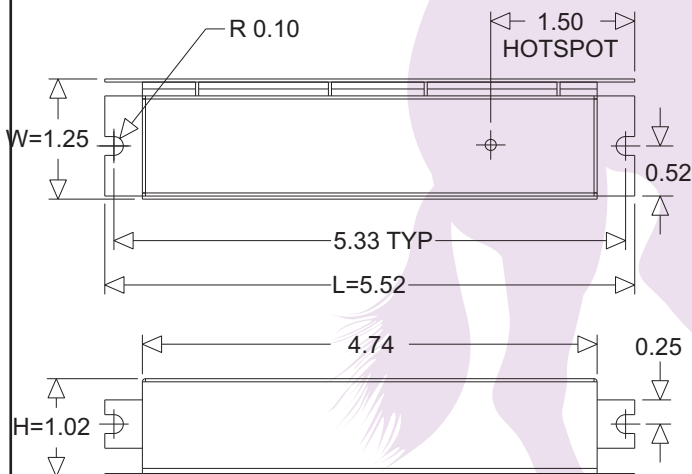
This Ballast Will Operate Following Lamps.

REFER TO LAMP WATTS/TYPE

ELECTRICAL DATA (230V APPLICATION)

INPUT VOLT: 230V ± 10% , 50/60Hz					
LAMP WATTS/TYPE	LAMPS OPERATED	INPUT WATTS	LINE CURRENT	BALLAST FACTOR	EFFICACY FACTOR
18CFQ	1	18	0.155	0.8	4.8
* F30T8	1	31	0.261	0.9	3.1
* F18T8	1	18	0.158	0.9	4.8
F13T5	1	17	0.146	1.0	5.9
* F15T8	1	18	0.158	1.3	7.0
13CFQ	1	16	0.144	1.1	7.3
POWER FACTOR			> 0.5		
THD			< 155.2 %		
CURRENT CREST FACTOR			< 1.7		
EMI/RFI COMPLIANCE			FCC PART 18-A		
SOUND RATING			" A "		
BALLAST TYPE			INSTANT START		
VOLTAGE TRANSIENTS			ANSI C82.11 - 1993		
INPUT/PROTECTION			FUSE		
MIN. OPERATING TEMP			- 30 °C (- 20 °F)		
MAX. CASE TEMP			70 °C (158 °F)		
APPROVALS/CLASS			UL LISTED, CLASS " P ", 1 OR 2 OUTDOOR		

MECHANICAL DATA



Where : L = Length, W = Width, H = Height

WIRING DIAGRAMS

WIRE	BLACK	WHITE	RED	BLUE	YELLOW	BROWN
LENGTH - INCHES	12 ± 1"	12 ± 1"	36 ± 1"	-	36 ± 1"	-

FOR WIRING DIAGRAM,
PLEASE REFER TO FULHAM'S CATALOG

NOTE : This Ballast Must Be Grounded

Fulham extends a limited warranty only to the original purchaser or to the first user for a period of 5 years from the date of manufacture when properly installed and operated under normal conditions of use. For complete terms and conditions, please reference the Fulham product catalog (www.fulham.com)
Due to a program of continuous improvement, Fulham reserves the right to make modifications or variations in design or construction to the equipment described.