

SPECIFICATION SHEET : SHS1-UNV-C

This Is An Original Product From Fulham Co., Inc

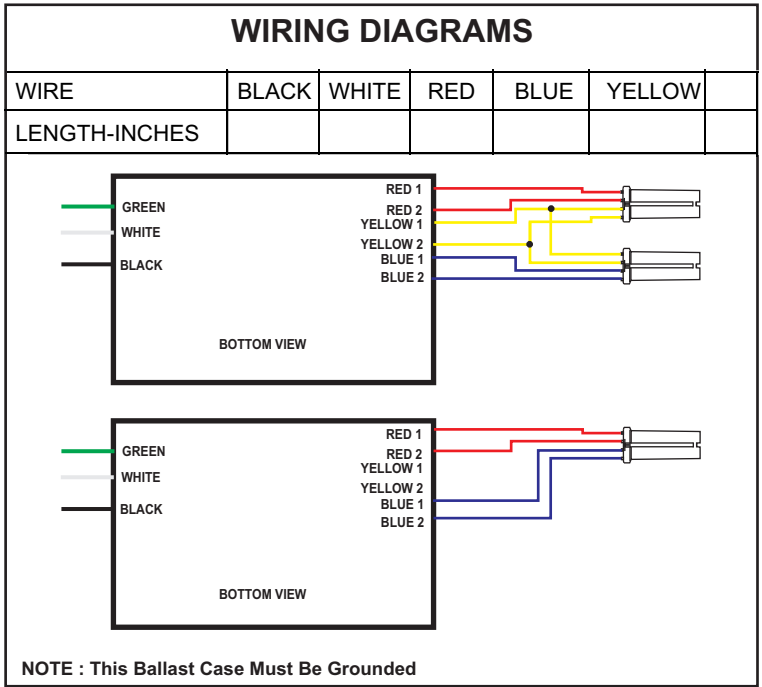
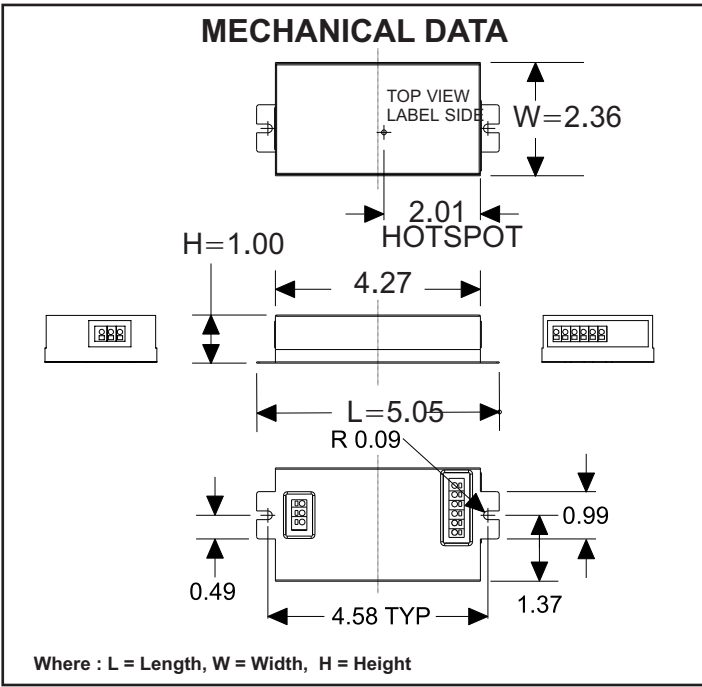
Description : Sun Horse electronic ballast developed for use with UV & tanning lamp applications

This Ballast Will Operate Following Lamps.

1. Refer to individual lamp listing for electrical data.
2. Approved for any T5 Ø, 425mA lamp.
3. Maximum ballast wattage 45W.

ELECTRICAL DATA (120V APPLICATION)

INPUT VOLT: 120V ± 10%, 50/60Hz							
LAMP WATTS/TYPE	10WT5, 425mA	14WT5, 425mA	15WT5, 425mA	17WT5, 425mA	TUV 18W	21WT5, 425mA	TUV 36W
LAMPS OPERATED	1	1	1	1	1	1	1
INPUT WATTS	13.6	17.8	17.3	21.7	23.0	25.7	42.6
LINE CURRENT:	0.12	0.15	0.15	0.18	0.19	0.22	0.36
POWER FACTOR	> 0.98						
BALLAST FACTOR	0.97	0.96	0.96	0.96	1.11	0.97	0.93
THD	< 10%						
CURRENT CREST FACTOR	< 1.7						
EM/RFI COMPLIANCE	FCC PART 18 - B (Consumer)						
SOUND RATING	" A "						
BALLAST TYPE	Pre Heat						
VOLTAGE TRANSIENTS	ANSI 62.41						
INPUT/PROTECTION	FUSE						
OUTPUT/PROTECTION	EOL						
MIN. OPERATING TEMP	0 °C (32 °F)						
MAX. CASE TEMP	75 °C (167 °F)						
NOT HPF @ 277V : 1 x 17WT5/425mA, 1 x 15WT5/425mA, 1 x 14WT5/425mA, 1 or 2 x 10WT5/425mA, 1 x 16WT5/425mA, 1 x TUV 18W							
APPROVALS/CLASS	UL /cUL LISTED, CLASS " P ", Type 1 OUTDOOR, Type CC.						



Fulham extends a limited warranty only to the original purchaser or to the first user for a period of 3 years from the date of manufacture when properly installed and operated under normal conditions of use. For complete terms and conditions, please reference the Fulham product catalog (www.fulham.com)
Due to a program of continuous improvement, Fulham reserves the right to make modifications or variations in design or construction to the equipment described. © Fulham Company Limited, All Rights Reserved.

SPECIFICATION SHEET : SHS1-UNV-C

This Is An Original Product From Fulham Co., Inc

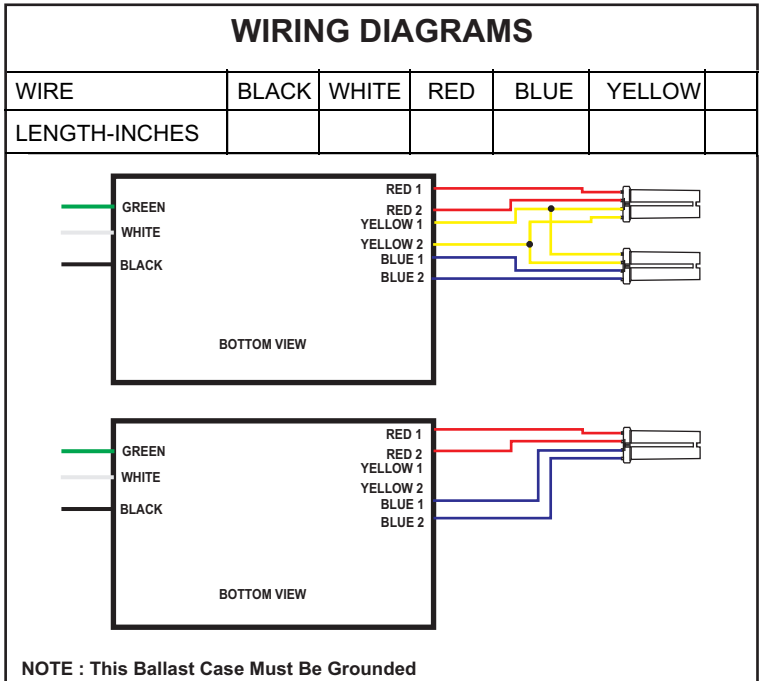
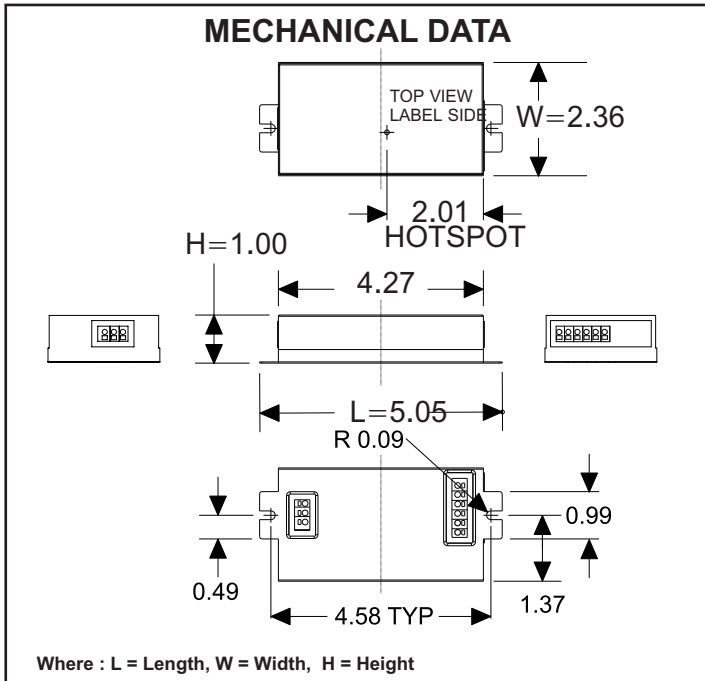
Description : Sun Horse electronic ballast developed for use with UV & tanning lamp applications

This Ballast Will Operate Following Lamps.

1. Refer to individual lamp listing for electrical data.
2. Approved for any T5 Ø, 425mA lamp.
3. Maximum ballast wattage 45W.

ELECTRICAL DATA (120V APPLICATION)

INPUT VOLT: 120V ± 10%, 50/60Hz	
LAMP WATTS/TYPE	38WT5, 425mA 41WT5, 425mA
LAMPS OPERATED	1 1
INPUT WATTS	44.7 47.5
LINE CURRENT:	0.37 0.39
POWER FACTOR	> 0.98
BALLAST FACTOR	0.96 0.96
THD	< 10%
CURRENT CREST FACTOR	< 1.7
EMI/RFI COMPLIANCE	FCC PART 18-B (Consumer)
SOUND RATING	" A "
BALLAST TYPE	Pre Heat
VOLTAGE TRANSIENTS	ANSI 62.41
INPUT/PROTECTION	FUSE
OUTPUT/PROTECTION	EOL
MIN. OPERATING TEMP	0 °C (32 °F)
MAX. CASE TEMP	75 °C (167 °F)
NOT HPF @ 277V : 1 x 17WT5/425mA, 1 x 15WT5/425mA, 1 x 14WT5/425mA, 1 or 2 x 10WT5/425mA, 1 x 16WT5/425mA, 1 x TUV 18W	
APPROVALS/CLASS	UL /cUL LISTED, CLASS " P ", Type 1 OUTDOOR, Type CC.



Fulham extends a limited warranty only to the original purchaser or to the first user for a period of 3 years from the date of manufacture when properly installed and operated under normal conditions of use. For complete terms and conditions, please reference the Fulham product catalog (www.fulham.com)
Due to a program of continuous improvement, Fulham reserves the right to make modifications or variations in design or construction to the equipment described. © Fulham Company Limited, All Rights Reserved.

SPECIFICATION SHEET : SHS1-UNV-C

This Is An Original Product From Fulham Co., Inc

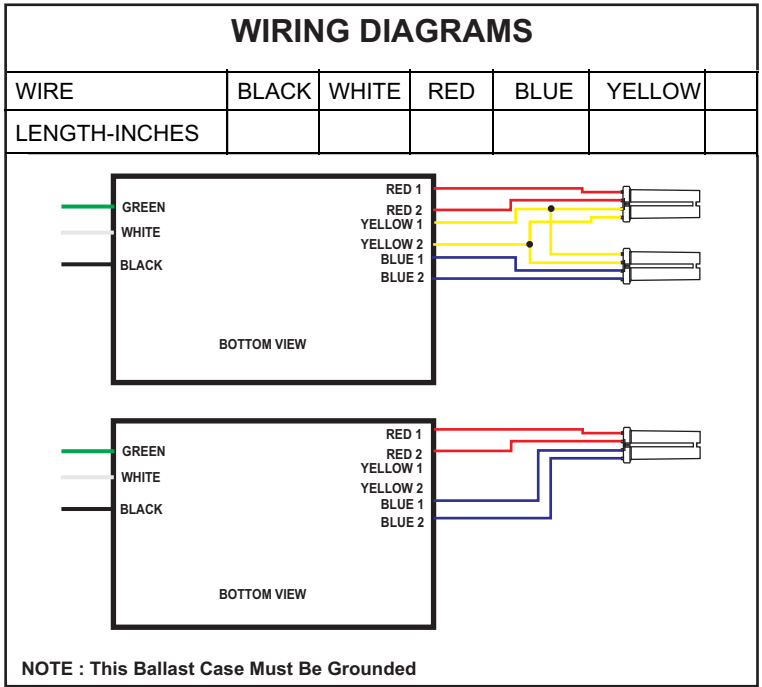
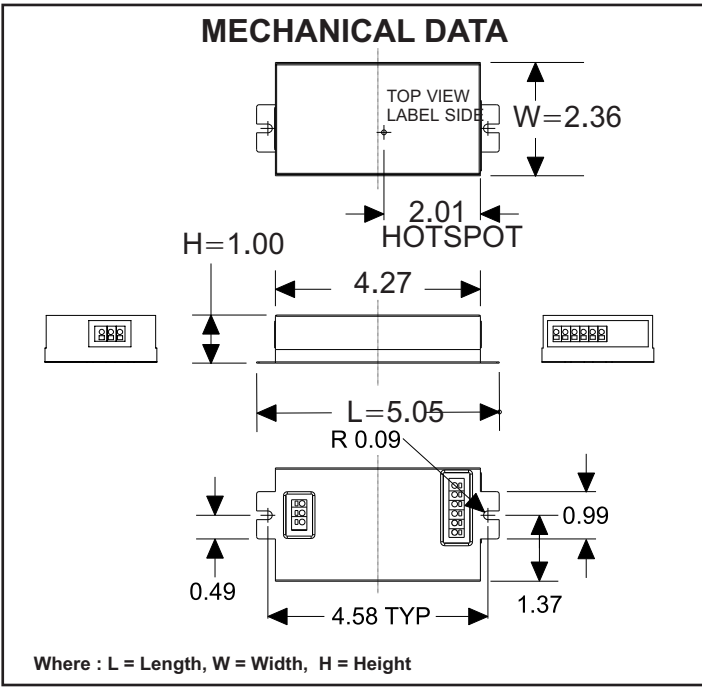
Description : Sun Horse electronic ballast developed for use with UV & tanning lamp applications

This Ballast Will Operate Following Lamps.

1. Refer to individual lamp listing for electrical data.
2. Approved for any T5 Ø, 425mA lamp.
3. Maximum ballast wattage 45W.

ELECTRICAL DATA (120V APPLICATION)

INPUT VOLT: 120V ± 10%, 50/60Hz							
LAMP WATTS/TYPE	10WT5, 425mA	14WT5, 425mA	15WT5, 425mA	17WT5, 425mA	TUV 18W	21WT5, 425mA	
LAMPS OPERATED	2	2	2	2	2	2	
INPUT WATTS	23.2	30.4	32.5	39.3	43.5	48.3	
LINE CURRENT:	0.20	0.26	0.27	0.33	0.36	0.40	
POWER FACTOR	> 0.98						
BALLAST FACTOR	0.96	0.94	0.94	0.94	1.10	0.96	
THD	< 10%						
CURRENT CREST FACTOR	< 1.7						
EM/RFI COMPLIANCE	FCC PART 18-B (Consumer)						
SOUND RATING	" A "						
BALLAST TYPE	Pre Heat						
VOLTAGE TRANSIENTS	ANSI 62.41						
INPUT/PROTECTION	FUSE						
OUTPUT/PROTECTION	EOL						
MIN. OPERATING TEMP	0 °C (32 °F)						
MAX. CASE TEMP	75 °C (167 °F)						
NOT HPF @ 277V :	1 x 17WT5/425mA, 1 x 15WT5/425mA, 1 x 14WT5/425mA, 1 or 2 x 10WT5/425mA, 1 x 16WT5/425mA, 1 x TUV 18W						
APPROVALS/CLASS	UL /cUL LISTED, CLASS " P ", Type 1 OUTDOOR, Type CC.						



Fulham extends a limited warranty only to the original purchaser or to the first user for a period of 3 years from the date of manufacture when properly installed and operated under normal conditions of use. For complete terms and conditions, please reference the Fulham product catalog (www.fulham.com)
Due to a program of continuous improvement, Fulham reserves the right to make modifications or variations in design or construction to the equipment described. © Fulham Company Limited, All Rights Reserved.

SPECIFICATION SHEET : SHS1-UNV-C

This Is An Original Product From Fulham Co., Inc

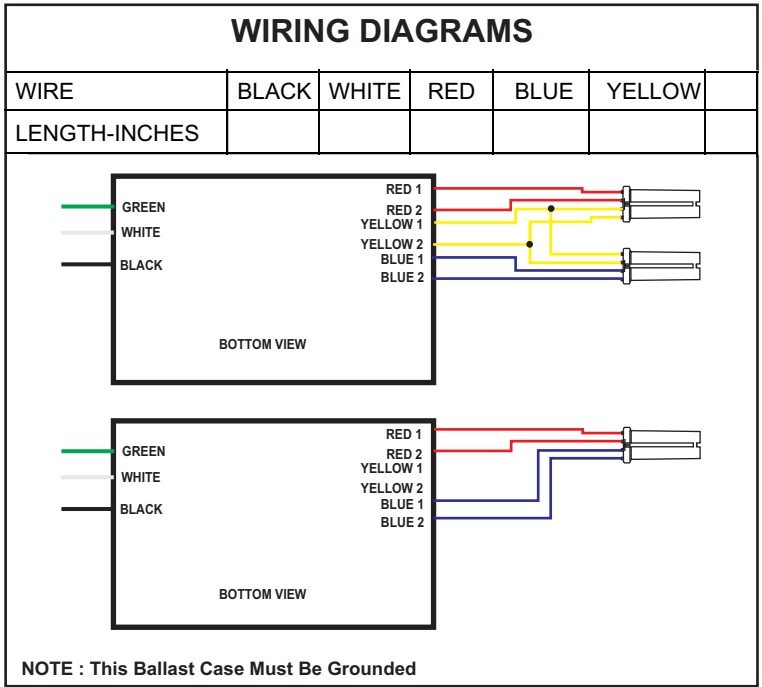
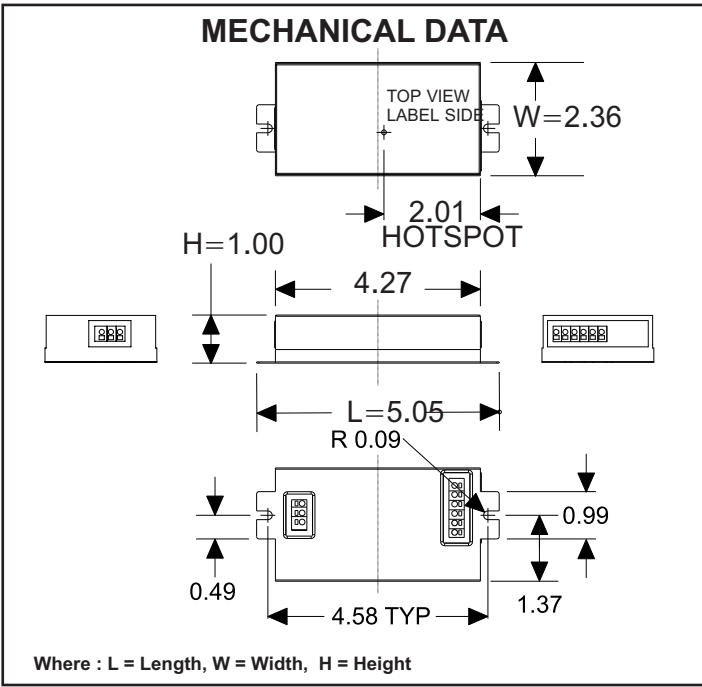
Description : Sun Horse electronic ballast developed for use with UV & tanning lamp applications

This Ballast Will Operate Following Lamps.

1. Refer to individual lamp listing for electrical data.
2. Approved for any T5 Ø, 425mA lamp.
3. Maximum ballast wattage 45W.

ELECTRICAL DATA (277V APPLICATION)

INPUT VOLT: 277V ± 10%, 50/60Hz							
LAMP WATTS/TYPE	10WT5, 425mA	14WT5, 425mA	15WT5, 425mA	17WT5, 425mA	TUV18W	21WT5, 425mA	TUV36W
LAMPS OPERATED	1	1	1	1	1	1	1
INPUT WATTS	13.9	17.7	17.7	21.8	22.8	25.6	41.3
LINE CURRENT:	0.07	0.08	0.08	0.09	0.09	0.10	0.16
POWER FACTOR	0.79	0.81	0.81	> 0.9			
BALLAST FACTOR	0.97	0.96	0.96	0.95	1.11	0.97	0.93
THD	46.7%	31.3%	36.4%	22.1%	16.7%	15.6%	8.6%
CURRENT CREST FACTOR	< 1.7						
EM/RFI COMPLIANCE	FCC PART 18-B (Consumer)						
SOUND RATING	" A "						
BALLAST TYPE	Pre Heat						
VOLTAGE TRANSIENTS	ANSI 62.41						
INPUT/PROTECTION	FUSE						
OUTPUT/PROTECTION	EOL						
MIN. OPERATING TEMP	0 °C (32 °F)						
MAX. CASE TEMP	75 °C (167 °F)						
NOT HPF @ 277V :	1 x 17WT5/425mA, 1 x 15WT5/425mA, 1 x 14WT5/425mA, 1 or 2 x 10WT5/425mA, 1 x 16WT5/425mA, 1 x TUV 18W						
APPROVALS/CLASS	UL /cUL LISTED, CLASS " P ", Type 1 OUTDOOR, Type CC.						



Fulham extends a limited warranty only to the original purchaser or to the first user for a period of 3 years from the date of manufacture when properly installed and operated under normal conditions of use. For complete terms and conditions, please reference the Fulham product catalog (www.fulham.com)
Due to a program of continuous improvement, Fulham reserves the right to make modifications or variations in design or construction to the equipment described. © Fulham Company Limited, All Rights Reserved.

SPECIFICATION SHEET : SHS1-UNV-C

This Is An Original Product From Fulham Co., Inc

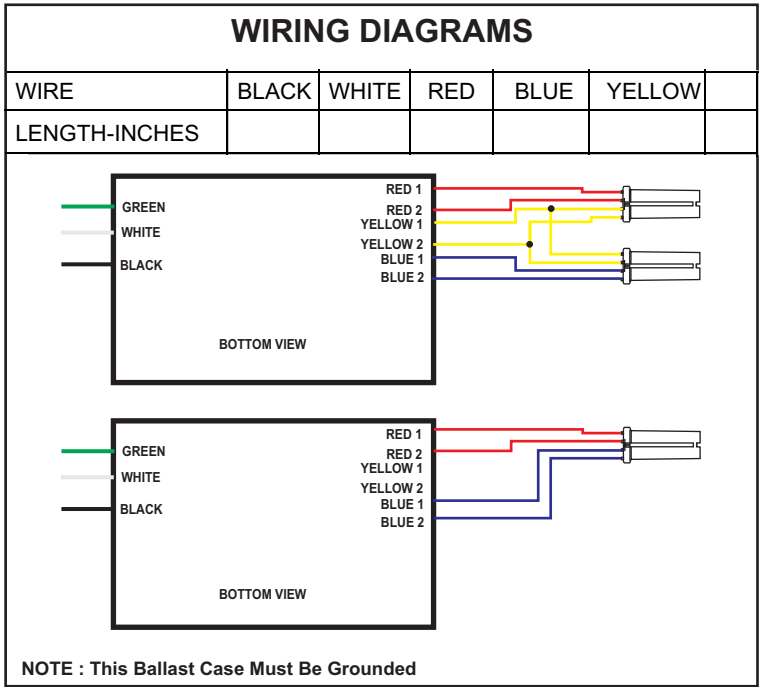
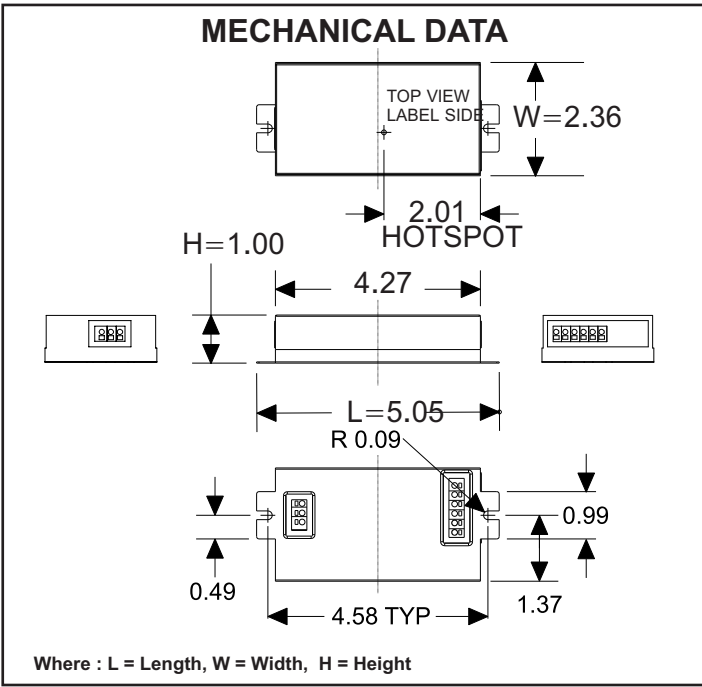
Description : Sun Horse electronic ballast developed for use with UV & tanning lamp applications

This Ballast Will Operate Following Lamps.

1. Refer to individual lamp listing for electrical data.
2. Approved for any T5 Ø, 425mA lamp.
3. Maximum ballast wattage 45W.

ELECTRICAL DATA (277V APPLICATION)

INPUT VOLT: 277V ± 10%, 50/60Hz	
LAMP WATTS/TYPE	38WT5, 425mA 41WT5, 425mA
LAMPS OPERATED	1 1
INPUT WATTS	42.8 46.6
LINE CURRENT:	0.16 0.17
POWER FACTOR	> 0.9
BALLAST FACTOR	0.96 0.96
THD	< 10%
CURRENT CREST FACTOR	< 1.7
EMV/RFI COMPLIANCE	FCC PART 18 - B (Consumer)
SOUND RATING	" A "
BALLAST TYPE	Pre Heat
VOLTAGE TRANSIENTS	ANSI 62.41
INPUT/PROTECTION	FUSE
OUTPUT/PROTECTION	EOL
MIN. OPERATING TEMP	0 °C (32 °F)
MAX. CASE TEMP	75 °C (167 °F)
NOT HPF @ 277V : 1 x 17WT5/425mA, 1 x 15WT5/425mA, 1 x 14WT5/425mA, 1 or 2 x 10WT5/425mA, 1 x 16WT5/425mA, 1 x TUV 18W	
APPROVALS/CLASS	UL /cUL LISTED, CLASS " P ", Type 1 OUTDOOR, Type CC.



Fulham extends a limited warranty only to the original purchaser or to the first user for a period of 3 years from the date of manufacture when properly installed and operated under normal conditions of use. For complete terms and conditions, please reference the Fulham product catalog (www.fulham.com)
Due to a program of continuous improvement, Fulham reserves the right to make modifications or variations in design or construction to the equipment described. © Fulham Company Limited, All Rights Reserved.

SPECIFICATION SHEET : SHS1-UNV-C

This Is An Original Product From Fulham Co., Inc

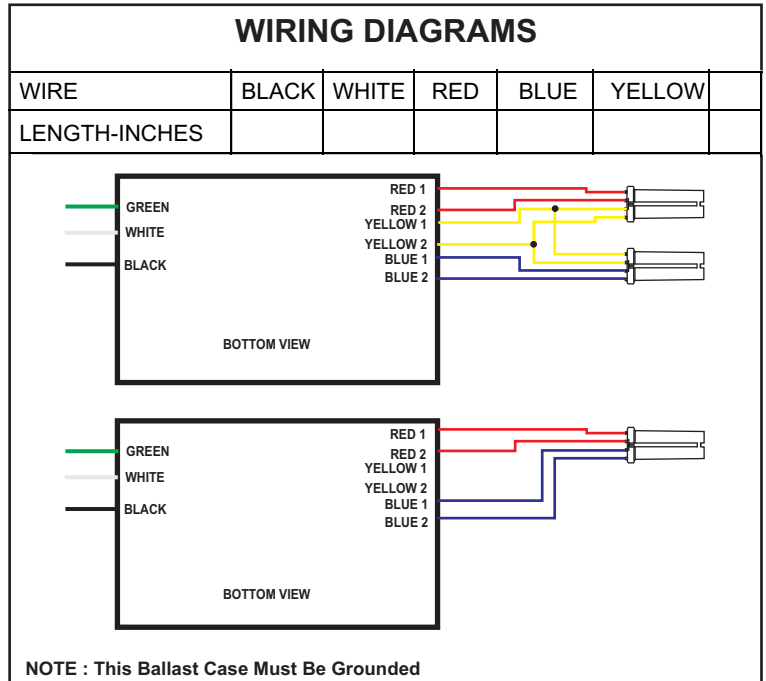
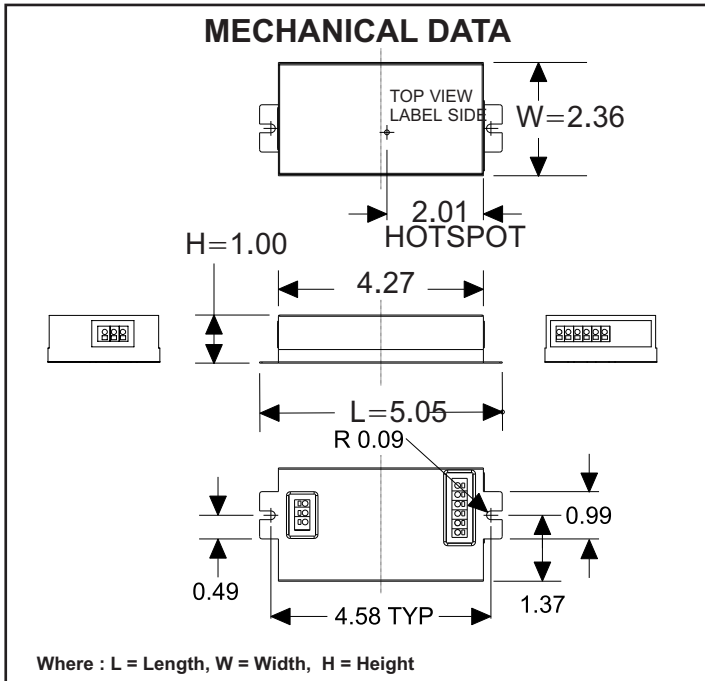
Description : Sun Horse electronic ballast developed for use with UV & tanning lamp applications

This Ballast Will Operate Following Lamps.

1. Refer to individual lamp listing for electrical data.
2. Approved for any T5 Ø, 425mA lamp.
3. Maximum ballast wattage 45W.

ELECTRICAL DATA (277V APPLICATION)

INPUT VOLT: 277V ± 10%, 50/60Hz							
LAMP WATTS/TYPE	10WT5, 425mA	14WT5, 425mA	15WT5, 425mA	17WT5, 425mA	TUV 18W, 425mA	21WT5, 425mA	
LAMPS OPERATED	2	2	2	2	2	2	
INPUT WATTS	23.1	30.0	31.7	38.4	42.4	47.5	
LINE CURRENT:	0.09	0.12	0.12	0.15	0.16	0.18	
POWER FACTOR	> 0.9						
BALLAST FACTOR	0.96	0.94	0.94	0.93	1.10	0.96	
THD	16.6%	14.4%	13.4%	13.6%	10.9%	8.1%	
CURRENT CREST FACTOR	< 1.7						
EMI/RFI COMPLIANCE	FCC PART 18 - B (Consumer)						
SOUND RATING	" A "						
BALLAST TYPE	Pre Heat						
VOLTAGE TRANSIENTS	ANSI 62.41						
INPUT/PROTECTION	FUSE						
OUTPUT/PROTECTION	EOL						
MIN. OPERATING TEMP	0 °C (32 °F)						
MAX. CASE TEMP	75 °C (167 °F)						
NOT HPF @ 277V : 1 x 17WT5/425mA, 1 x 15WT5/425mA, 1 x 14WT5/425mA, 1 or 2 x 10WT5/425mA, 1 x 16WT5/425mA, 1 x TUV 18W							
APPROVALS/CLASS	UL /cUL LISTED, CLASS " P ", Type 1 OUTDOOR, Type CC.						



Fulham extends a limited warranty only to the original purchaser or to the first user for a period of 3 years from the date of manufacture when properly installed and operated under normal conditions of use. For complete terms and conditions, please reference the Fulham product catalog (www.fulham.com)
Due to a program of continuous improvement, Fulham reserves the right to make modifications or variations in design or construction to the equipment described. © Fulham Company Limited, All Rights Reserved.