



SPECIFICATION SHEET :FH3-DUAL-450L  
This Is An Original Product From Fulham Co., Inc

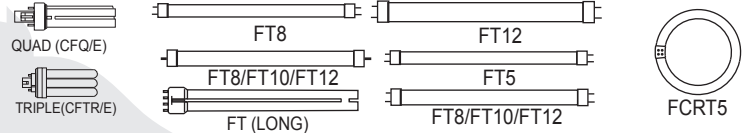
Project \_\_\_\_\_ Type \_\_\_\_\_ Model # \_\_\_\_\_

Remarks \_\_\_\_\_

**Description:** Firehorse Emergency Ballast for use with or without AC ballast designed to add emergency lighting when main AC power is interrupted for minimum of 90 minutes at reduced illumination. The emergency ballast is not intended for general purpose lighting applications.

**This Ballast Will Operate Following Lamps.**

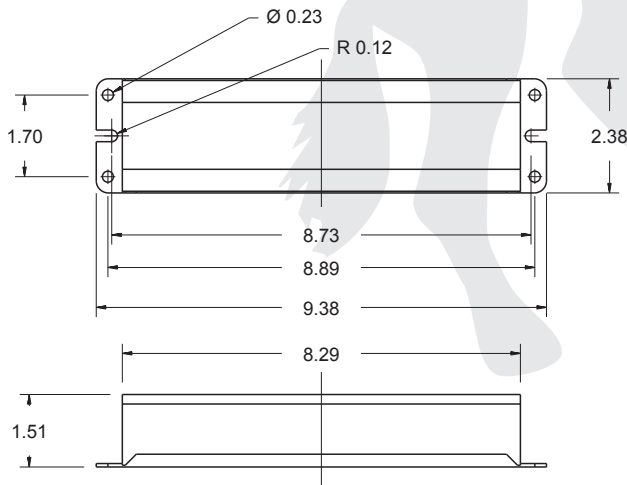
ONE 9W TO 42W 4-PIN CFL OR ONE 18W TO 40W LONG COMPACT OR ONE 17W TO 40W(2'-4') T8/T10/T12 INCLUDING CIRCLINE OR ONE 8W TO 21W T5 FLUORESCENT LAMP AT REDUCED ILLUMINATION (ALL WITHOUT INTEGRAL STARTER)



**ELECTRICAL DATA**

INPUT VOLT: 120V OR 277V ± 10%, 60Hz	
APPROVAL CLASS	UL - LISTED FOR DAMP LOCATION – FACTORY OR FIELD INSTALLATION
CODE COMPLIANCE	MEETS OR EXCEEDS UL924 – N.E.C. AND LSC EMERGENCY OPERATING REQUIREMENT
AC INPUT POWER RATING	2.5 WATTS
AC INPUT CURRENT	280mA
BALLAST TYPE	EMERGENCY
MINIMUM ILLUMINATION TIME	90 MINUTES
RECHARGE TIME	24 HOURS
MAXIMUM INITIAL LIGHT OUTPUT	450 LUMENS
BATTERY TYPE	HIGH TEMPERATURE RECHARGABLE NI-CAD – MAINTENANCE FREE
TEMPERATURE RATING (AMBIENT)	0°C TO 50°C (32°F TO 122°F)
BATTERY VOLTAGE	2.4Vdc
BATTERY CHARGING CURRENT	280mA Max.
BATTERY RATING	9.6W h
MINIMUM BATTERY RATING	4.0Ah
TEST SWITCH	SINGLE POLE
CHARGING INDICATOR LIGHT	LED
CASE TYPE	VANDAL RESISTANT – SEALED
CASE CONSTRUCTION	PAINTED STEEL
CASE PROFILE	9.4”L X 2.4”W X 1.5”H X 8.9” MOUNTING CENTER
CASE WEIGHT	2.8 lbs.
AC BALLAST COMPATIBILITY	ELECTRONIC FLUORESCENT – STANDARD AND DIMMING
LAMP COMPATIBILITY	FLUORESCENT SINGLE/BI-PIN / 4-PIN WITHOUT STARTER
FIXTURE COMPATIBILITY	INDOOR SWITCHED AND UNSWITCHED TYPE
WIRE CONNECTION (STANDARD)	STANDARD WIRE LEADS
LED TEST SWITCH TYPE (STANDARD)	TEST SWITCH & LED INDICATOR

**MECHANICAL DATA**



Where : L = Length, W = Width, H = Height all in inches

**TABLE 1  
LUMEN OUTPUT CHART**

FH3-DUAL-450L WITHOUT INTEGRAL ST ARTER	WATTS	BASE TYPE	INITIAL LUMEN OUTPUT	
			1 LAMP	2 LAMPS
T12	20/30	G13/med-bipin	350-425	X
T12	40	G13/med-bipin	450	X
F48T10	110	R17D/REC	350-450	X
T8	17/25/40	G13/med-bipin	325-450	X
T8	32	G13/med-bipin	450	X
T9	20/22/32	G10Q-4	400-450	X
T9	40	G10Q-4	450	X
FT(LONG)	27/24	2G11	400-425	X
FT(LONG)	39/36	2G11	450	X
FT(LONG)	40/30	2G11	400-450	X
T5(CIRCULAR)	22/40	2GX13	400-450	X
T5	14/21	mini-bipin	400-450	X
CFQ	13	G24Q-1	300-350	X
CFQ	18	G24Q-2	400-450	X
CFTR	26/32	GX24Q-3	450	X
CFTR	42	GX24Q-4	450	X

Partial list of lamps operated - contact Fulham Customer Service when referencing alternative lamps - lumen ratings may vary with lamp specifications, light loss, lamp and luminaire maintenance and other utilization factors.

NOTE: WIRING DIAGRAMS SHOWN ON A SEP ARA TE SHEET

Fulham Co., Inc extends limited warranty only to the original purchaser or to the first user for the period of 2 years from the date of manufacture as indicated and operated under normal conditions of use. For complete terms and conditions, please reference the Fulham Product Catalog ([www.fulham.com](http://www.fulham.com)). Due to a program of continuous improvement, Fulham reserves the right to make modifications or variations in design or construction to the equipment described.