

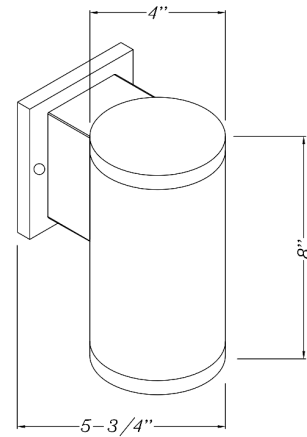
JOB NAME: _____

DATE: _____

TYPE: _____



DIMENSIONS:



- WMC-DL-15W-50K-BR**
- WMC-DL-15W-30K-BR**
- WMC-DL-15W-50K-BN**
- WMC-DL-15W-30K-BN**

LED WALL MOUNT CYLINDER LIGHTS

Ideal for general site lighting, walkways and stairways, alleys, loading docks, doorway, pathway and parking areas

ELECTRICAL SPECIFICATIONS:

- Voltage: 120V,
- Wattage: 15W (Down light)
- Efficacy: 76LM/W

HOUSING SPECIFICATIONS:

- Outdoor Wall Cylinders
- Housing: Die-cast aluminum
- Finish: Bronze & Brushed Nickel
- Lifespan: 70,000 hr.
- providing a reliable weather-tight seal
- IP Rating: IP65, Suitable for Wet Locations

CERTIFICATIONS: ETL



MODEL	WATTS	VOLTAGE	LUMENS	COLOR TEMP
WMC-DL-15W-50K-BR	15W	120V	1144LM	5000K
WMC-DL-15W-30K-BR	15W	120V	1144LM	3000K
WMC-DL-15W-50K-BN	15W	120V	1144LM	5000K
WMC-DL-15W-30K-BN	15W	120V	1144LM	3000K

LIGHTING SPECIFICATIONS:

- Light directions: DOWN Only
- Dimmable: TRIAC Dimming
- LED: COB technology with prismatic reflector
- Lens: frosted lens
- Total lumens: 1144LM
- Color temperature: 5000K/3000K
- Color rendering index: >80
- Beam Angle: 40°

WARRANTY: 7 years

