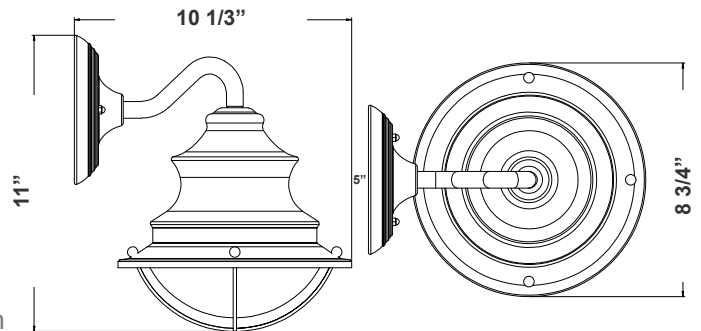


LRS SERIES Outdoor Lighting

LRS-SWG-MCT5-ORB
LED SEASIDE OUTDOOR WALL LANTERN WITH WIRE GUARD



Customer Name: _____
Project Name: _____
Note: _____ Type: _____



10 1/3"(W) x 11"(H) x 8.3/4"(D)
Back Plate 5"(Diameter)

LED Seaside Outdoor Wall Lantern with Wire guard with aluminum housing & powder-coated finish, acrylic diffuser. Ideal for general site lighting, residential buildings, doorway, pathway and parking areas.

Features

- Aluminum Housing and Steel Back Plate
- Frosted Glass Lens
- 7-Year Warranty
- Multi CCT Switch is Inside Fixture

Technical Specifications

Electrical:

- Voltage: 120V AC 60Hz
- Wattage: 12W
- Power Factor: >0.90
- Efficacy: 100 LPW

Mechanical:

- Aluminum Housing and Steel Back Plate
- Frosted Glass Lens
- Operating Temperature: -4°F to 104°F
- Wet Location
- 7-Year Warranty
- IP42, Suitable for outdoor use

Lighting:

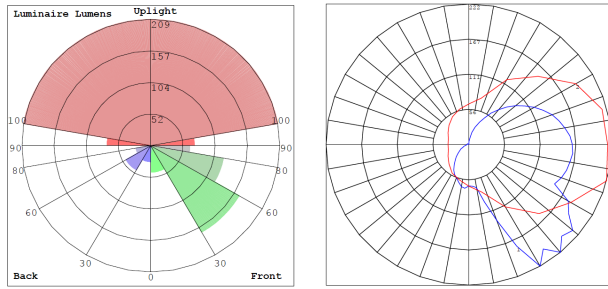
- Total Lumens: 1200LM
- Color Temperatures: 2700K/3000K/3500K/4000K/5000K
- Color Rendering Index: CRI ≥ 80
- Beam Angle: 90° x 110°
- Rated life: 70,000 Hrs

Applications:

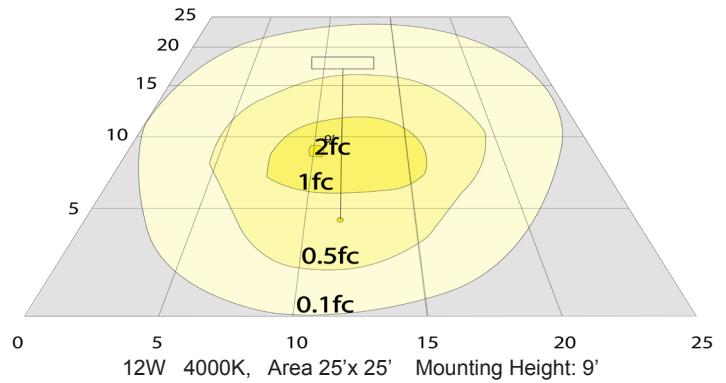
- LED Seaside Outdoor Wall Lantern with Wire guard with aluminum housing & powder-coated finish, acrylic diffuser. Ideal for general site lighting, residential buildings, doorway, pathway and parking areas.



Photometrics: LRS-SWG-MCT5-ORB



BUD Rating: B0-U3-G1



Other Views:



Side View



Front View



Back View

Performance Table: LRS-SWG-MCT5-ORB

MODEL NO.	Wattage	Voltage	Lumens	Color Temp.	BUG Rating	LPW
LRS-SWG-MCT5-ORB	12W	120V	1200LM	2700K 3000K 3500K 4000K 5000K	B0-U3-G1	100

Sample Ordering

Model	Color Temp.	Housing
LRS - SWG - MCT5 - ORB		

Factory-Installed Options:

Blank = No Option For Accessories
OPT-PC-BUM = Button Photocell

FACTORY-INSTALLED OPTIONS:



OPT-PC-BUM

Other Model:



LRS-S-MCT5-ORB

