

LFXE SERIES Outdoor Lighting

LFXE-XL-200-300W-MCTP-P
BUILDER SERIES FLOOD/AREA LIGHTS WITH PHOTOCCELL
MCTP Multi Color Temperature & Multi Power/Wattage (Selectable)

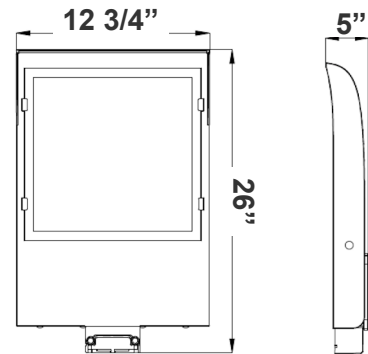
WESTGATE
THE FUTURE IS HERE...AND IT'S QUITE BRIGHT!

Customer Name: _____

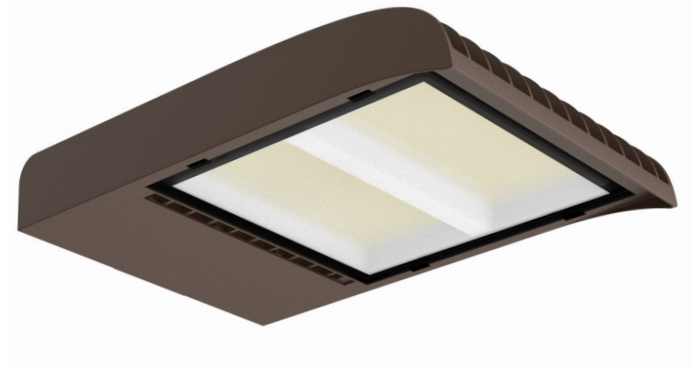
Project Name: _____

Note: _____

Type: _____



26"(H) x 12 3/4"(W) x 5"(D)



Ideal for general site lighting, alleys, loading docks, doorway, pathway, and parking areas.

Features

- Solid State Lighting Technology for Long Life
- No Maintenance Needed and High-Efficiency
- Optic Lens Type: III
- Multi-Power - The Switch is On the Bottom of the Fixture

Technical Specifications

Electrical:

- Voltage: 120~277V AC/50~60 Hz
- Wattage: 200W//240 W/300W
- Power Factor: >0.9
- Efficacy: 135 LPW

Mechanical:

- With Snap-on & Bolt Mounting Options for One- Person Installations. Select a Mounting Option (Sold Separately)
- Die-cast Aluminum Housing with Powder Coat Finish (Dark Bronze)
- Photocell Included (With Disconnect Switch)
- 10KV Lightning Surge Protection
- Effective Projected Areas (EPA's) are: Front = 0.38 ft², Side = 0.30 ft², Face = 1.05 ft²
- Operating Temperature: -40°F to 104°F
- IP Rating: IP65, Suitable for Wet Locations
- 7-Year Warranty

Lighting:

- Multi-Power - The Switch Is On the Bottom Of The Fixture
- Dimming: 0~10V dimmable
- Optic Lens Type: III
- Cord Type: 6' SJTW 18/3 AWG cable
- Total Lumens: 40500LM Max.
- Color Temperature: 3000K/4000K/5000K
- Color Rendering Index: ≥ 82
- Beam Angle: 120°X 90°
- 70,000 Hours Rated Life

Applications:

- Ideal for general site lighting, alleys, loading docks, doorway, pathway and parking areas.
- Replace existing HID flood lights/ wall packs

Other Models:

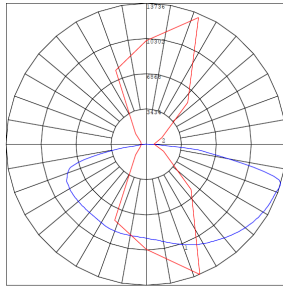
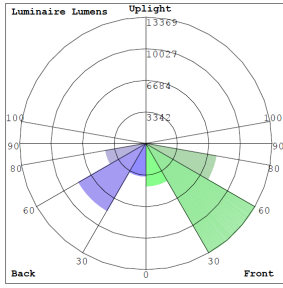
- 300W | 40500LM | LFXE-XL-200-300W-50K-P



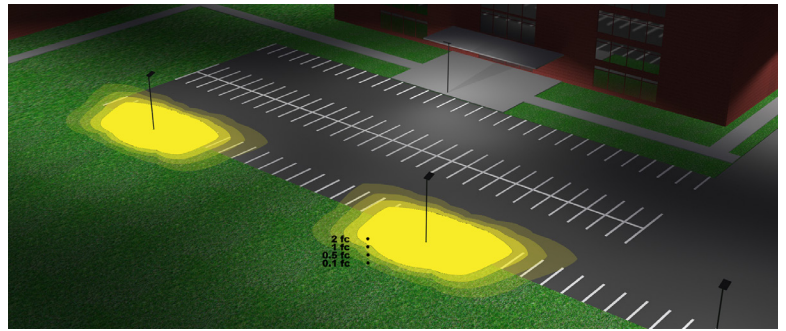
Phone: (877) 805-2252 | Fax: (877) 805-2252
www.westgatemfg.com |



Photometrics: LFXE-XL-200-300W-50K-P



BUG Rating: B4-U0-G4



Area 65'x 120' Mounting Height: 20'

Other Views:



Side View
Shown with U bracket



Front View



Back View

Performance Table: LFXE-XL-200-300W-50K-P

MODEL NO.	Wattage	Voltage	Lumens	Color Temp.	BUG Rating	LPW
LFXE-XL-200-300W-50K-P	200W	120~277V	27000LM	3000K	B4-U0-G4	135
	240W		32400LM	4000K		
	300W		40500LM	5000K		

Sample Ordering

Model	Size	Min. Wattage	Max. Wattage	Color Temp.	Photocell
LFX	XL	200	300W	MCTP	P

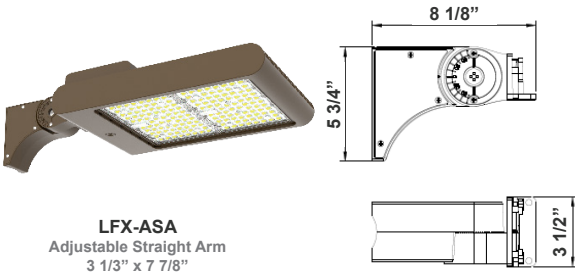
Example:

1. LFXE-XL-200-300W-50K-P

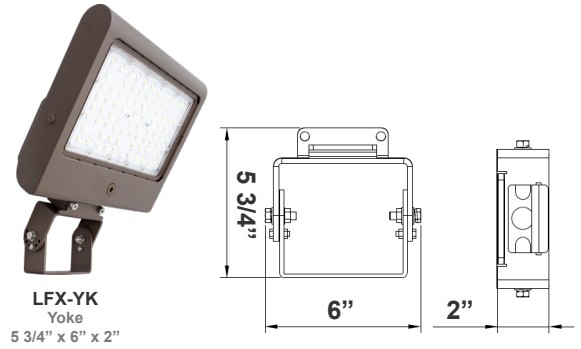
(For LFXE 300W 5000K fixture 120V-277V)



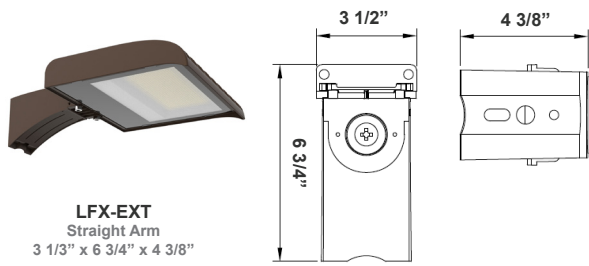
Mounting Options:



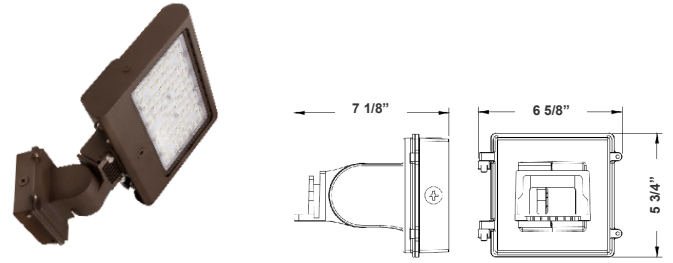
LFX-ASA
Adjustable Straight Arm
3 1/3" x 7 7/8"



LFX-YK
Yoke
5 3/4" x 6" x 2"



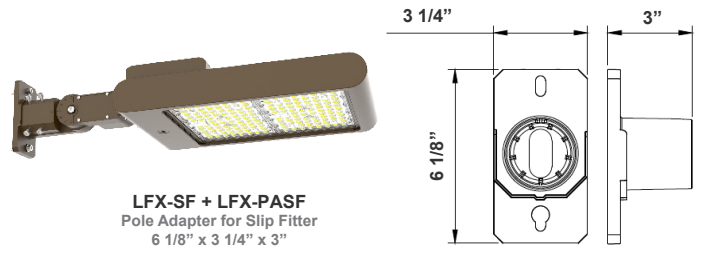
LFX-EXT
Straight Arm
3 1/3" x 6 3/4" x 4 3/8"



LFX-AWB
Adjustable Wall Junction Box
7 1/8" x 6 5/8" x 5 3/4"



LFX-SF
Slip Fitter
3 1/3" x 7 7/8"



LFX-SF + LFX-PASF
Pole Adapter for Slip Fitter
6 1/8" x 3 1/4" x 3"

Custom Color Available

