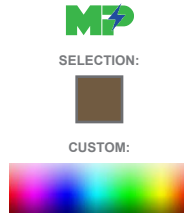


# LFX-XXL SERIES Outdoor Lighting

LFX-XXL-300-600W-50K  
POWER-ADJUSTABLE FLOOD/AREA LIGHT

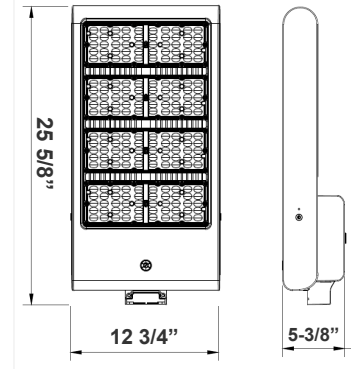
**WESTGATE**  
THE FUTURE IS HERE...AND IT'S QUITE BRIGHT!



Customer Name: \_\_\_\_\_

Project Name: \_\_\_\_\_

Note: \_\_\_\_\_ Type: \_\_\_\_\_



25 5/8"(H) x 12-3/4"(W) x 3-3/8"(D)

Ideal for general site lighting, alleys, loading docks, doorway, pathway, and parking areas.

## Features

- Housing: ADC12 Aluminum heat sink, outdoor powder coating
- Optical Lens: High light transmittance PC, anti-UV and flame resistant
- 70,000 Hours Rated Life
- 7-Year Warranty
- Multi-Power - The Switch is On the Bottom of the Fixture

## Technical Specifications

### Electrical:

- Voltage: 100-277V AC, 50/60Hz
- Wattage: 300W/400W/500W/600W
- Power Factor: >0.9
- THD<20%
- Efficacy: 140 LPW

### Mechanical:

- With Snap-on & Bolt Mounting Options for One- Person Installations. Select a Mounting Option (Sold Separately)
- LED: LUMILEDS 2835 /5050 LED
- Housing: ADC12 Aluminum heat sink, outdoor powder coating
- 10KV Lightning Surge Protection
- Aluminum LED board: High conductive, waterproof, aging resistance, salt mist resistance, ensure the safety and long life span
- Operating Temperature: -104°F to 122°F
- Effective projected areas (EPA's) are:
  - Front = 0.38 square feet
  - Side = 0.30 square feet
  - Face = 1.05 square feet
- IP Rating: IP65
- Suitable for Wet Locations

### Lighting:

- Dimming: 0~10V dimmable
- Optical Lens: High light transmittance PC, anti-UV and flame resistant
- Lens: TYPE III°
- Total Lumens: 84000LM Max.
- Color Temperature: 5000K
- Color Rendering Index: ≥ 82
- Beam Angle: 120°X 90°

### Applications:

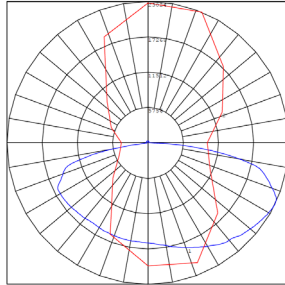
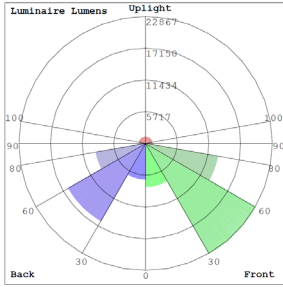
- Ideal for general site lighting, alleys, loading docks, doorway, pathway and parking areas.
- Replace existing HID flood lights/ wall packs



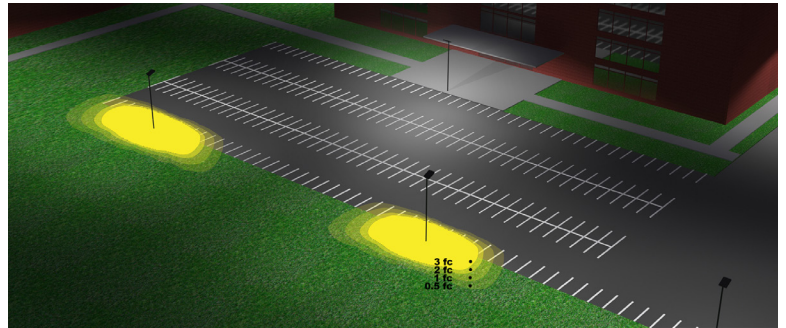
Phone: (877) 805-2252 | Fax: (877) 805-2252  
www.westgatemfg.com | www.westgatecontrols.co



# Photometrics: LFX-XXL-300-600W-50K



600W 5000K BUG Rating: B4-U0-G4



600W 5000K Area 65'x 115' Mounting Height: 20'

## Other Views:



Side View



Bottom View



Front View



Back View

## Performance Table: LFX-XXL-300-600W-50K

MODEL NO.	Wattage	Voltage	Lumens	Color Temp.	BUG Rating	LPW
LFX-XXL-300-600W-50K	300W	120~277V	42000	5000K	B5-U5-G5	140
	400W		56000			
	500W		70000			
	600W		84000			

## Sample Ordering

Model Size Min.Wattage Max.Wattage Color Temp.

LFX - XXL - 300 - 600W -   
 50K = 5000K

## Accessories Options

Blank = No Option for Accessories  
 WEC-8RC = Remote Control for OPT-SEN-3MR-4  
 \*REFER TO PAGE 3 FOR MOUNTING OPTIONS

## Factory-Installed Options

Blank = No Factory Installed Options  
 OPT-LF3-PCK = Twist-Lock Photocell  
 OPT-3MPC = Microwave Photocell with a 1/2" threaded  
 OPT-SEN-3MR-3 = Programmable Microwave BI-Level  
 OPT-TLSOC7P = 7-Pin Receptacle Kit to accept Smart Control Twist-Lock Photocell  
 (Photocell not incl.) (Shorting Cap incl.)  
 OPT-CLR-95 = Color Paint

## SENSOR AND REMOTE CONTROL OPTIONS



OPT-LF3-PCK  
Twist-Lock  
Photocell + Receptacle Kit



OPT-SEN-3MR-3  
Bi-Level Motion  
Sensor



OPT-3MPC



WEC-8RC  
Remote control



OPT-TLSOC7P  
Smart Control  
7-Pin Receptacle Kit  
(Photocell not incl.)  
(Shorting Cap incl.)



Smart Control  
7-Pin Receptacle Kit  
for  
OPT-TLSOC7P

## Example:

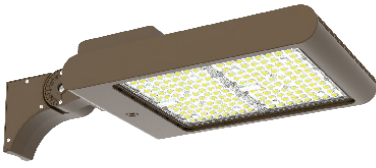
- LFX-XXL-300-600W-50K
- LFX-XXL-300-600W-50K  
WEC-8RC

(For LFX 600W 5000K fixture 120V-277V)

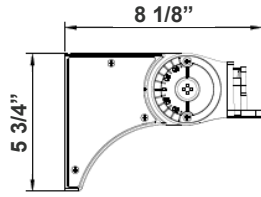
(For LFX 600W 5000K fixture 120V-277V)  
(For Remote Control)



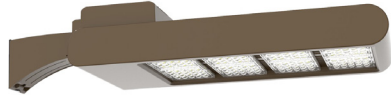
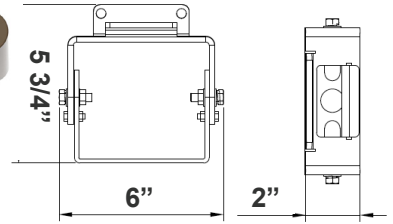
## Mounting Options:



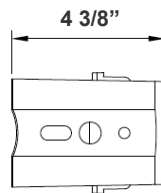
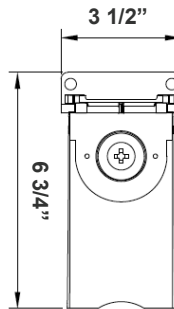
**LFX-ASA**  
Adjustable Straight Arm  
3 1/3" x 7 7/8"



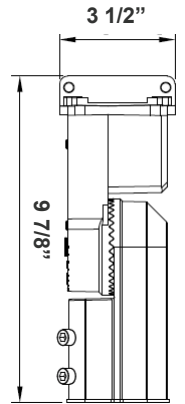
**LFX-YK**  
Yoke  
5 3/4" x 6" x 2"



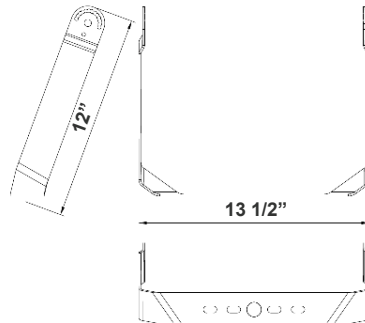
**LFX-EXT**  
Straight Arm  
3 1/3" x 6 3/4" x 4 3/8"



**LFX-SF**  
Slip Fitter  
3 1/3" x 7 7/8"



**LFX-TR-B**  
U Bracket  
13 1/2" x 12"

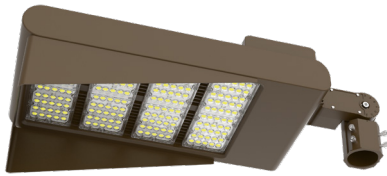


**Color Options:** LFX-XXL-300-600W-50K  
 Custom Color Available

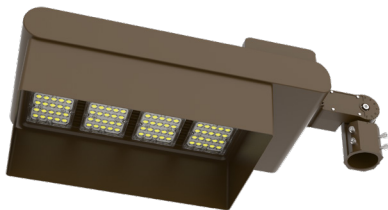
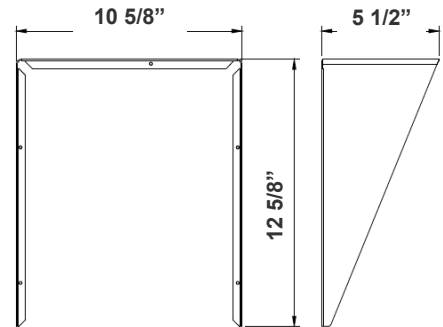
Black    Silver    White    **Dark Bronze**    Green    Red    Yellow  
 Default color



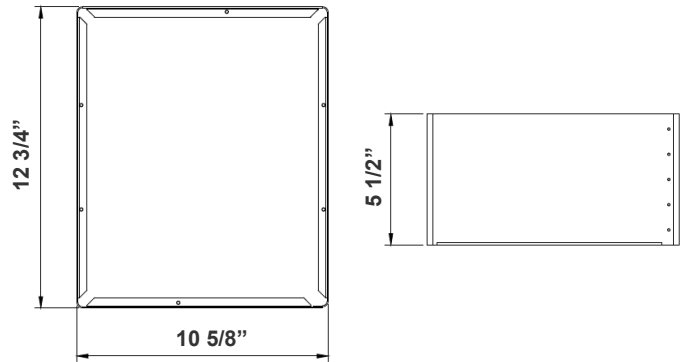
**Shroud & Wire Guard:** LFX-XXL-300-600W-50K



**LF-SHROUD-F**  
 Shroud  
 12 5/8" x 10 5/8" x 5 1/2"



**LF-SHROUD-G**  
 Full-Glare Shroud  
 12 3/4" x 10 5/8" x 5 1/2"



**COLOR CHART:** \* Choose from one of our Premium Colors with no set-up fee.

**Gloss:**



SILVER METALLIC  
70 GLOSS  
T357-GR105



SILVER METALLIC  
30 GLOSS  
T353-GR06



DARK RED 90  
GLOSS  
P009-RD02



INTERNATIONAL  
ORANGE 90  
GLOSS  
T009-OG26



SAFETY ORANGE  
90 GLOSS  
T009-OG01



YELLOW 90  
GLOSS  
T009-YL14



YELLOW 90  
GLOSS  
T009-YL01



TRAFFIC GREEN  
70 GLOSS  
T007-GN16



GREEN 70 GLOSS  
T007-GN13



GREEN 60 GLOSS  
C006-GN03



BLUE 90 GLOSS  
T009-BL01



DARK BLUE 80  
GLOSS  
T008-BL20



RAL 8028 TERRA  
BROWN 90 GLOSS  
C209-BR358

**Hammer:**



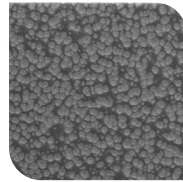
WHITE HAMMER  
T013-WH09



BEIGE HAMMER  
T013-BG38



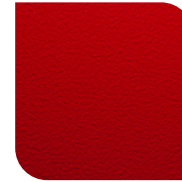
GREY HAMMER  
C013-GR08



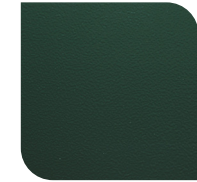
SILVER  
HAMMERTONE  
T064-GR05



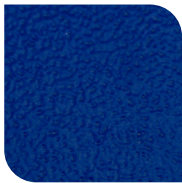
BLACK HAMMER  
T013-BK62



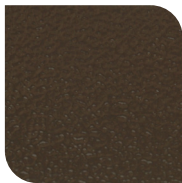
RED HAMMER  
T013-RD15



GREEN HAMMER  
T013-GN220



BLUE HAMMER  
T013-BL468



BRONZE HAMMER  
T012-BR161

**Texture:**



WHITE TEXTURE  
C031-WH120



FLINT GRAY  
TEXTURE  
T243-GR522



BLACK TEXTURE  
C241-BK109



RED TEXTURE  
T241-RD129



BLUE TEXTURE  
C241-BL544

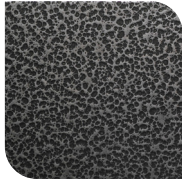


OIL RUBBED  
BRONZE TEXTURE  
T291-BR251

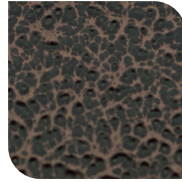
**Vein:**



BLACK/WHITE  
VEIN  
T075-WH34



SILVER VEIN  
T375-BK26



COPPER VEIN  
EXTERIOR  
T075-BK211



GOLD VEIN  
T375-BK10



COPPER VEIN  
T375-BK07