

# LF3 SERIES Outdoor Lighting

LF3-15WW-TR  
LF3-15NW-TR  
LF3-15CW-TR

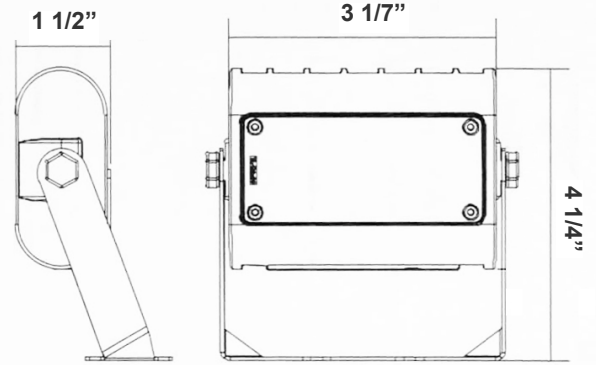


Customer Name: \_\_\_\_\_

Project Name: \_\_\_\_\_

Note: \_\_\_\_\_

Type: \_\_\_\_\_



4-1/4"(H) x 3-1/7"(W) x 1-1/2"(D)

Ideal for general site lighting, alleys, loading docks, doorways, pathways, parking areas. Replace existing HID flood lights/wall packs. Great for use with motion sensors or another instant on/off controls. Solid-state lighting technology for long life, low maintenance, and high efficiency.

## Features

- LF3 Flood Light Series With Trunnion
- DLC Premium & LED High-Lumen Floor lights
- 70,000 hours rated life
- 7-Year Warranty
- Optic Lens Type: II

## Technical Specifications

### Electrical:

- Voltage: 100-277VAC 50/60Hz
- Wattage: 15W
- Output voltage: 36-60VDC
- Power Factor: >0.9
- Output Current: 0.25A
- Driver Efficiency: 88%

### Lighting:

- LED: SMD 3030/ Lumileds LEDs
- Cord type: 18" SJTW 18/3 AWG cable
- Total lumens: 1700LM
- Color temperature: 3000K/ 4000K/ 5000K
- Color rendering index: CRI > 82
- Beam Angle: 120°x90°

### Mechanical:

- Die-cast Aluminum Housing with Powder Coat Finish (Dark Bronze)
- Solid State Lighting technology for long life, no Maintenance needed and High-Efficiency
- High Conductive Aluminum LED Board
- IP Rating: IP65
- Operating Temperature: -40°F to 104°F
- Suitable for Wet Locations

### Applications:

- Ideal for general site lighting, alleys, loading docks, doorway, pathway and parking areas.
- Replace existing HID flood lights/ wall packs
- Great for use with motion sensors or other instant on/off controls

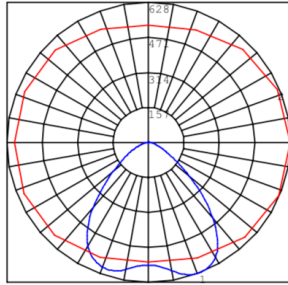
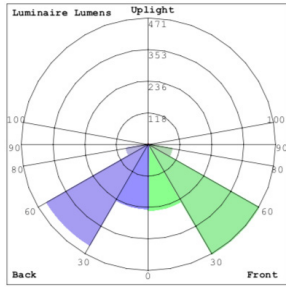
### Other Models:

- 30W | 3600LM | LF3-30WW-TR
- 30W | 3600LM | LF3-30NW-TR
- 30W | 3600LM | LF3-30CW-TR
- 50W | 6100LM | LF3-50WW-TR
- 50W | 6100LM | LF3-50NW-TR
- 50W | 6100LM | LF3-50CW-TR

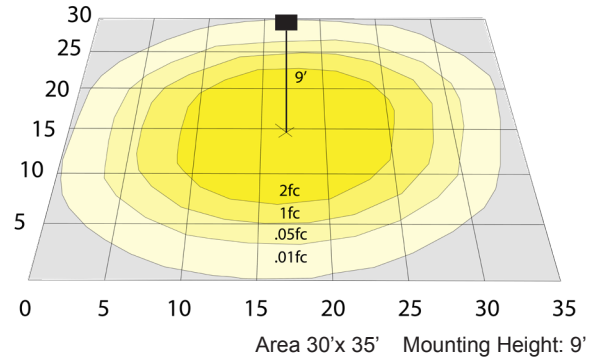


## Photometrics: LF3-15W

TYPE II



BUD Rating: B1-U1-G0



Area 30'x 35' Mounting Height: 9'

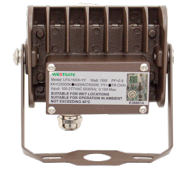
## Other Views:



Front View



Side View



Back View

## Performance Table: LF3-15W

MODEL NO.	Wattage	Voltage	Lumens	Color Temp.	BUG Rating	LPW
LF3-15WW	15W	120~277V	1700LM	3000K	B1-U1-G0	113
LF3-15NW	15W	120~277V	1700LM	4000K	B1-U1-G0	113
LF3-15CW	15W	120~277V	1700LM	5000K	B1-U1-G0	113

## Sample Ordering

Model Wattage Color Temp.

LF3 - 15 - [ ] - TR

WW = 3000K  
NW = 4000K  
CW = 5000K

## Accessories Options

Blank = No Option For Accessories

## Example:

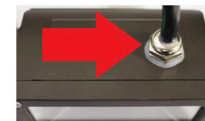
1. LF3-15WW-TR

(For LF3 15W 3000K fixture 120-277V)

## ACCESSORIES AND MOUNTING OPTIONS



LF series floods are pre-wired with 18" cord (18/3 SJTW) and compression fitting



Fixture is pre-wired with 16/3 SO cord

