



FL-SH3

## FLD2-42CW-TR FLD2-42WW-TR

### LED BULLET FLOOD LIGHTS WITH TRUNNION

Ideal for general site lighting, alleys, loading docks, doorway, pathway and parking areas. Great for use with motion sensors and other instant on/off controls.

#### ELECTRICAL SPECIFICATIONS:

- Voltage: 120-277VAC 50/60Hz
- Wattage: 42W
- Power factor: >0.9
- Efficacy: 100LM/W

#### HOUSING SPECIFICATIONS:

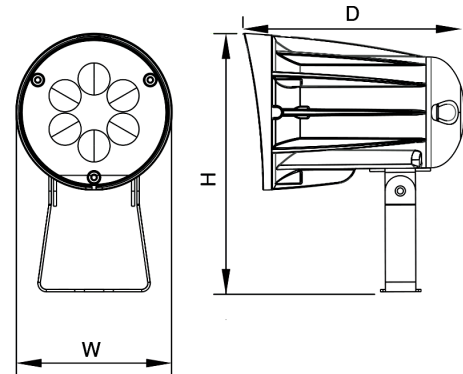
- Die-cast aluminum with powder coat finish (Bronze)
- Cord type: 18" SJTW 18/3 AWG cable
- Operating temperature: -40°F ~ 104°F
- Maintenance free
- High light transmittance, anti-UV & fire resistant PC
- Westgate's powerful bullets
- 1/2" hole on bracket for mounting with LF-THREAD (see accessories) or other strain-relief connectors
- Lifespan: 70,000 Hrs.
- IP rating: IP65, Wet Locations

#### CERTIFICATIONS: UL, DLC



#### DIMENSIONS:

8-1/2"(H) x 4-1/2"(W) x 6-1/4"(D)



MODEL	WATTS	VOLTAGE	LUMENS	COLOR TEMP
FLD2-42CW-TR	42W	120~277VAC	4200LM	5000K
FLD2-42WW-TR	42W	120~277VAC	4200LM	3000K

#### ACCESSORIES:

MODEL	DESCRIPTION
FL-SH3	Polycarbonate shroud (Bronze) fits for FLD2-42W

#### LIGHTING SPECIFICATIONS:

- LED: Philips LUMILEDS
- Total lumens: 4200LM
- Color temperature: 5000K/3000K
- Color rendering index: >80
- Beam angle: 60°

#### WARRANTY: 7 years

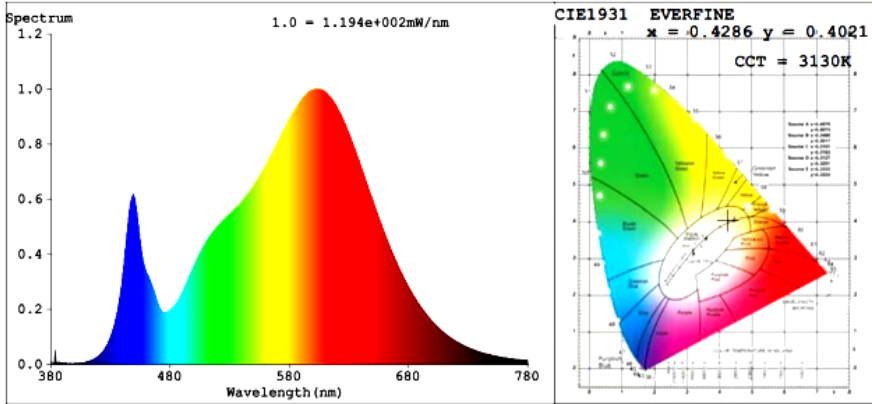


## FLD2-42CW-TR FLD2-42WW-TR

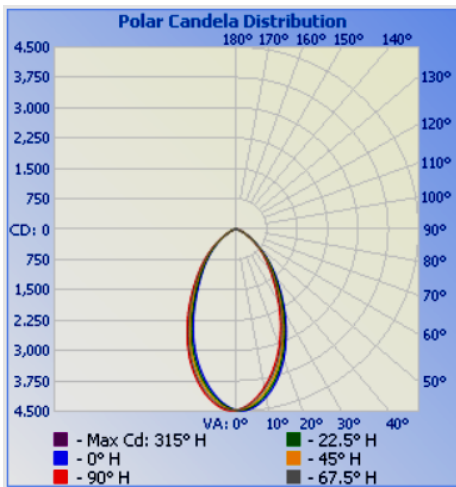
MODEL	WATTS	VOLTAGE	LUMENS	COLOR TEMP
FLD2-42CW-TR	42W	120~277VAC	4200LM	5000K
FLD2-42WW-TR	42W	120~277VAC	4200LM	3000K

### LED BULLET FLOOD LIGHTS WITH TRUNNION

#### SPECTRAL POWER DISTRIBUTION & CHROMATICITY DIAGRAM:



#### PHOTOMETRY:



**Illuminance at a Distance**

Center Beam fc	Beam Width
17.0ft	15.46 fc    19.4 ft    19.6 ft
34.0ft	3.86 fc    38.8 ft    39.1 ft
51.0ft	1.72 fc    58.3 ft    58.7 ft
68.0ft	0.97 fc    77.7 ft    78.2 ft
85.0ft	0.62 fc    97.1 ft    97.8 ft
102.0ft	0.43 fc    116.5 ft    117.3 ft

■ Vert. Spread: 59.5°  
■ Horiz. Spread: 59.8°

