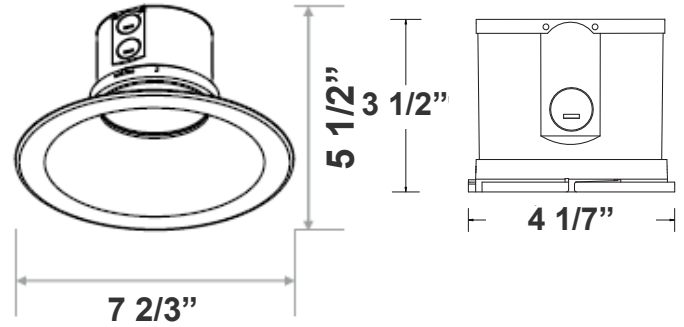


CRLC SERIES COMMERCIAL INDOOR LIGHTING

WESTGATE
THE FUTURE IS HERE...AND IT'S QUITE BRIGHT!

CRLC6-20W-MCTP-D
CRLC6-20W-MCTP-D-WH
6" LED COMMERCIAL RECESSED LIGHT

Customer Name: _____
Project Name: _____
Note: _____ | Type: _____



7 2/3"(L) X 5 1/2" (D)

Ideal for hotel, offices, retail outlets, restaurant, parking garages, conference room, education facilities and more.

Features

- 6" Haze & White Finish TRIM
- MCTP: Multi Color Temperature & Multi Power/Wattage (Selectable)
- Mounting Options: Recessed
- 5-Year Warranty
- Lifespan: 50,000 hrs.

Technical Specifications

Electrical:

- Voltage: 120-277VAC 50/60Hz
- Wattage: 10W/15W/20W
- Power Factor: >0.90
- Efficacy: 86 LPW

Mechanical:

- 6" Haze & White Finish TRIM
- Mounting Options: Recessed
- Temperature Rating: Designed To Operate in Temperatures 113°F
- No IC-Rated
- Housing Not Required. Two Spring Clips To Hold The Fixture In Place
- Suitable for Damp Locations
- 5-Year Warranty

Lighting:

- MCTP: Multi Color Temperature & Multi Power/Wattage (Selectable)
- Dimming: 0~10V Dimmable
- Total Lumens: 1720LM
- Color Temperature: 3000K/4000K/5000K
- Color Rendering index: >80
- Lifespan: 50,000 hrs.

Applications:

- Ideal for hotel, offices, retail outlets, restaurant, parking garages, conference room, education facilities and more.

Other Models:

- 20W | 1720LM | CRLC6-20W-MCTP-D
- 20W | 1720LM | CRLC6-20W-MCTP-D-WH

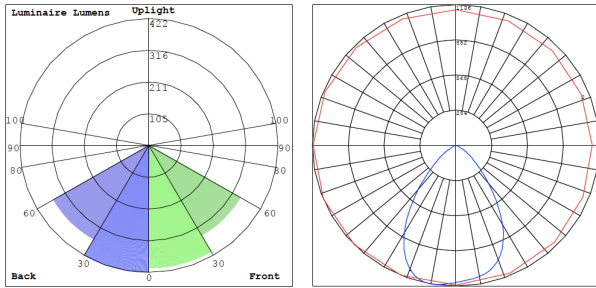


Phone: (877) 805-2252 | Fax: (877) 805-2252
www.westgatemfg.com

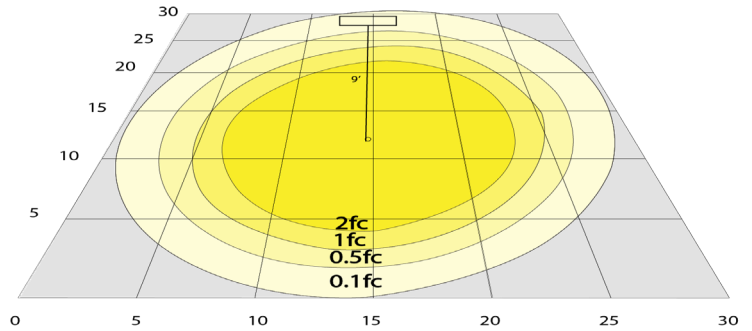


WG-Z7-2D-22

Photometrics: CRLC6-20W-MCTP-D



BUG Rating: B1-U1-G0



20W 5000K, Area 30" x 30" Mounting Height: 9'

Other Views:

Hazel



CRLC-EGN-20W-MCTP-D



CRLC-TRM-6



CRLC6-20W-MCTP-D

White



CRLC-EGN-20W-MCTP-D



CRLC-TRM-6-WH



CRLC6-20W-MCTP-D-WH

Performance Table: CRLC6-20W-MCTP-D

MODEL NO.	Wattage	Voltage	Lumens	Color Temp.	BUG Rating	LPW
CRLC6-20W-MCTP-D	10W	120-277V	860LM	3000K	B1-U1-G0	86
	15W		1290LM	4000K		
CRLC6-20W-MCTP-D-WH	20W		1720LM	5000K		

Sample Ordering

Model **Watt** **Dimming** **Housing**
 - - - -

Blank
WH = WHITE

Accessory:

Blank = No Option For Accessories

RSL6-RI = 6" ROUND ROUGH-IN PLATE, 26" LONG

RSL6-RI-13 = ROUND ROUGH-IN PLATE, 13" LONG

Factory-Installed Option:

Blank = No Option For Accessories

OPT-EM-HB1EXT = EXTERNAL EMERGENCY BACK UP BATTERY

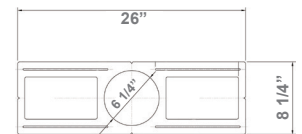
Example:

- CRLC6-20W-MCTP-D (FOR 20W CRLC6 MCTP 120-277V)
- CRLC6-20W-MCTP-D OPT-EM-HB1EXT (FOR 20W CRLC6 MCTP 120-277V) (EXTERNAL EMERGENCY BACK UP BATTERY)

Accessory:



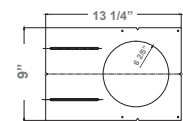
RSL6-RI
6" ROUND ROUGH-IN PLATE, 26" LONG



RSL6-RI
26"(W) x 8 1/4"(H)



RSL6-RI-13
6" ROUND ROUGH-IN PLATE, 13" LONG



RSL6-RI-13
13 1/4"(W) x 9"(H)

Factory-Installed Option:



OPT-EM-HB1EXT
EXTERNAL EMERGENCY BACK UP BATTERY

