

CDL2 SERIES OUTDOOR LIGHTING

CDL2-25CW
CDL2-25NW
CDL2-25WW

Customer Name: _____

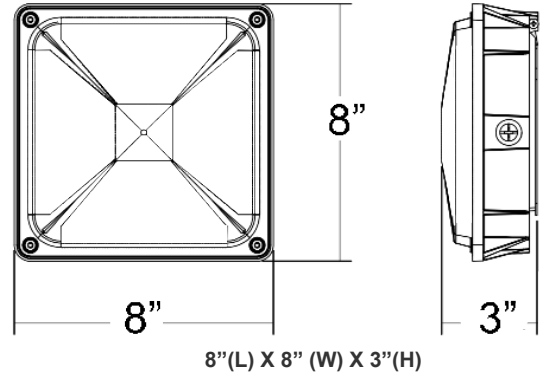
Project Name: _____

Note: _____

Type: _____



Ideal for indoor parking lots, commercial buildings, schools, warehouses, retail centers, apartment complexes. Designed for 9 to 16-foot mounting.



Features

- Housing: Die-cast aluminum with prismatic polycarbonate lens redesigned for LED
- Designed for 9 to 16 foot mounting heights
- Factory-Installed Options: Battery Backup, Motion Sensor
- 7-year warranty

Technical Specifications

Electrical:

- Input Wattage: 25W
- Input Current: 0.6A MAX
- Input Voltage: 120-277VAC 50/60Hz
- Power factor: >0.90
- Other wattages: 45W/ 60W/ 80W

Mechanical:

- Die-cast aluminum with bronze
- Four 1/2" threaded hubs located on four sides of the housing
- Prismatic polycarbonate lens
- Lifespan: 70000 Hrs
- Operating temperature: -4°F ~ 104°F
- IP rating: IP65, Wet Locations

Lighting:

- Dimming: 0~10V dimmable
- LED type/ Brand: SMD 3030/ Philips Lumileds LEDs
- Total lumens: 2780LM/ 2800LM/ 2880LM
- Color temperature: 3000K/ 4000K/ 5000K
- Color rendering index: >80
- Beam angle: 150°

Applications:

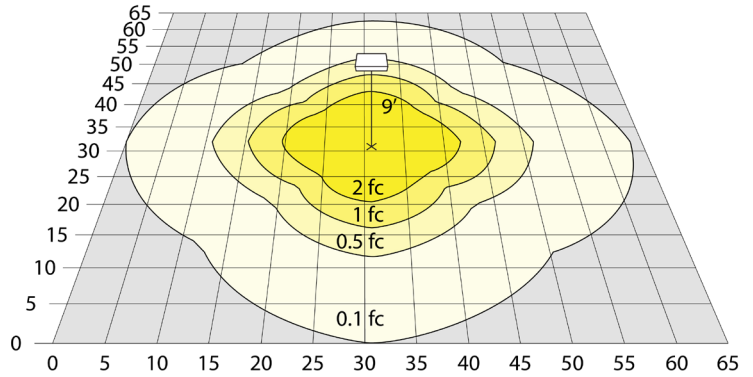
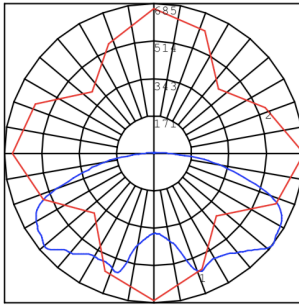
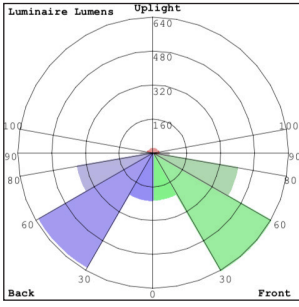
- Indoor Parking
- Commercial Buildings
- School
- Warehouses
- Complexes
- Apartment
- Garage

Other Models:

- | | | |
|----------------------------|----------------------------|----------------------------|
| • 45W 4400LM CDL2-45CW | • 60W 7400LM CDL2-60CW | • 80W 9500LM CDL2-80CW |
| • 45W 4300LM CDL2-45NW | • 60W 7100LM CDL2-60NW | • 80W 9400LM CDL2-80NW |
| • 45W 4200LM CDL2-45WW | • 60W 7100LM CDL2-60WW | • 80W 9400LM CDL2-80WW |



Photometrics: CDL2-25W



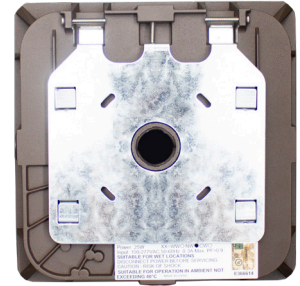
Other Views:



Front View



Side View



Back View

Performance Table: CDL2-25W

MODEL NO.	Wattage	Voltage	Lumens	Color Temp.	BUG Rating	LPW
CDL2-25CW	25W	120~277V	2880LM	5000K	B1-U2-G1	115.2
CDL2-25NW	25W	120~277V	2800LM	4000K	B1-U2-G2	112
CDL2-25WW	25W	120~277V	2780LM	3000K	B1-U2-G1	111.2

Sample Ordering

Model Wattage Color Temp.

CDL2 - 25W -

WW = 3000K
NW = 4000K
CW = 5000K

Accessories Options

Blank = No Option For Accessories

WEC-7RC = REMORTE CONTROL for OPT-SEN-3MR-4

Factory Installed Options

Blank = No Option For Factory-Installaed

OPT-EM-OD1EXT = External Emergency Battery Backup

OPT-SEN-3MR-4 = External Programmable Microwave BI-Level, Remote Capable

OPT-SEN-2MD-35 = Internal Programmable Microwave BI-Level DIP Switch

Example:

1. CDL2-25CW (For CDL2 25W 5000K fixture 120V-277V)
2. CDL2-25CW WEC-7RC (For CDL2 25W 5000K fixture 120V-277V) (For Remote Control)
3. CDL2-25CW WEC-7RC OPT-SEN-3MR-4 (For CDL2 25W 5000K fixture 120V-277V) (For Remote Control) (For Programmable Microwave Bi-Level)

SENSOR AND REMOTE CONTROL OPTIONS



OPT-EM-OD1EXT



WEC-7RC
(For WEC-3MR-4 sensor only)



OPT-SEN-3MR-4



OPT-SEN-SMD-35

MOUNTING OPTIONS

