

# S1000ML5AC5M

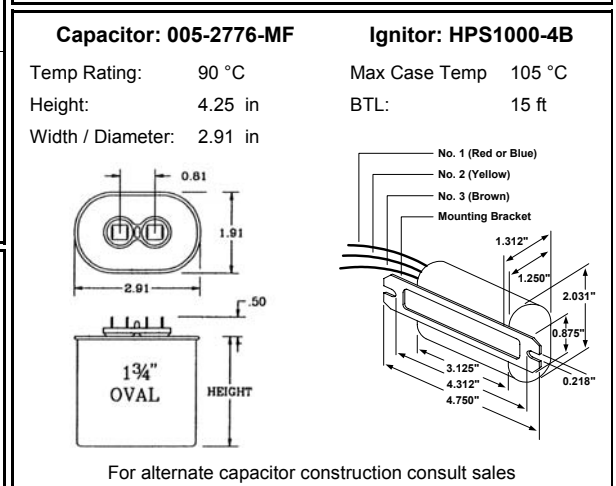
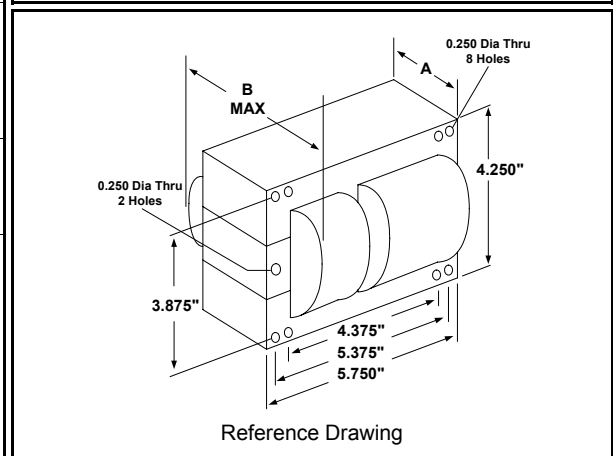
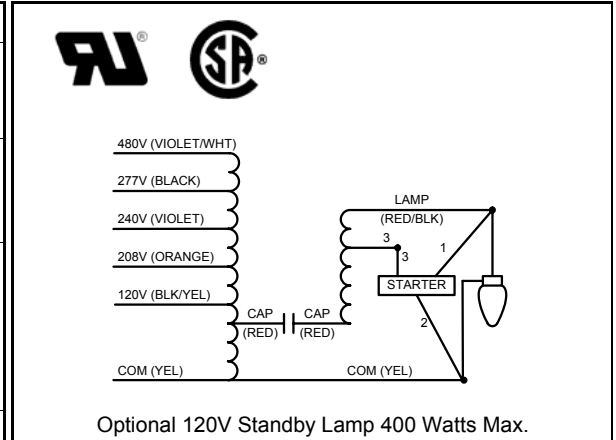
1000W S52

High Pressure Sodium

60Hz CWA

## Specification Sheet

|                                     |              |             |             |             |             |
|-------------------------------------|--------------|-------------|-------------|-------------|-------------|
| <b>Input Volts</b>                  | 120          | 208         | 240         | 277         | 480         |
| <b>Regulation</b>                   |              |             |             |             |             |
| Line Volts                          | ±10%         | ±10%        | ±10%        | ±10%        | ±10%        |
| Lamp Watts                          | ±10%         | ±10%        | ±10%        | ±10%        | ±10%        |
| Power Factor (min)                  | 90%          | 90%         | 90%         | 90%         | 90%         |
| Input Watts                         | 1100 W       | 1100 W      | 1100 W      | 1100 W      | 1100 W      |
| NOM. Open Circuit Voltage           | 440 V        | 440 V       | 440 V       | 440 V       | 440 V       |
| <b>Line Current (Amps)</b>          |              |             |             |             |             |
| Operating                           | 9.45         | 5.45        | 4.75        | 4.10        | 2.35        |
| Open Circuit                        | 4.85         | 2.80        | 2.40        | 2.10        | 1.20        |
| Starting                            | 6.90         | 4.00        | 3.45        | 3.00        | 1.75        |
| Recommended Fuse (Amps)             | 20           | 15          | 10          | 10          | 8           |
| Lamp Dropout Voltage (Line)         | 90 V         | 160 V       | 185 V       | 210 V       | 350 V       |
| <b>UL Temperature Ratings</b>       |              |             |             |             |             |
| Insulation Class                    | H (180°C)    | H (180°C)   | H (180°C)   | H (180°C)   | H (180°C)   |
| Temperature Code                    | D            | D           | D           | D           | D           |
| MIN. Starting Temperature           | -40°F -40°C  | -40°F -40°C | -40°F -40°C | -40°F -40°C | -40°F -40°C |
| <b>CAPACITOR Specifications</b>     |              |             |             |             |             |
| Microfarads                         | 26 uf        | 26 uf       | 26 uf       | 26 uf       | 26 uf       |
| Volts (min.)                        | 525 V        | 525 V       | 525 V       | 525 V       | 525 V       |
| <b>60Hz Test Procedures</b>         |              |             |             |             |             |
| High Potential Test 1 Minute        | 2000 V       | 2000 V      | 2000 V      | 2000 V      | 2000 V      |
| High Potential Test 1 Second        | 2500 V       | 2500 V      | 2500 V      | 2500 V      | 2500 V      |
| Secondary Open Ckt Voltage (V)      | 395 - 485    | 395 - 485   | 395 - 485   | 395 - 485   | 395 - 485   |
| Secondary Current Shorted (A)       | 6.30 - 7.80  | 6.30 - 7.80 | 6.30 - 7.80 | 6.30 - 7.80 | 6.30 - 7.80 |
| Input Operating Current (A)         | 8.45 - 10.40 | 4.90 - 6.00 | 4.25 - 5.25 | 3.65 - 4.50 | 2.10 - 2.60 |
| Input Open Circuit Current (A)      | 2.40 - 7.05  | 1.35 - 4.05 | 1.20 - 3.55 | 1.00 - 3.05 | 0.60 - 1.80 |
| Input Short Circuit Current (A)     | 5.00 - 7.60  | 2.90 - 4.40 | 2.50 - 3.80 | 2.20 - 3.35 | 1.25 - 1.90 |
| <b>Core and Coil Specifications</b> |              |             |             |             |             |
| Dimension A                         | 3.75 in      | 3.75 in     | 3.75 in     | 3.75 in     | 3.75 in     |
| Dimension B                         | 5.65 in      | 5.65 in     | 5.65 in     | 5.65 in     | 5.65 in     |
| Weight                              | 26.0 lbs     | 26.0 lbs    | 26.0 lbs    | 26.0 lbs    | 26.0 lbs    |
| Lead Lengths (inches)               | 12-14        | 12-14       | 12-14       | 12-14       | 12-14       |
| Coil Material (Pri. / Sec.):        | Cu / Cu      | Cu / Cu     | Cu / Cu     | Cu / Cu     | Cu / Cu     |



|                     |             |
|---------------------|-------------|
| Document #:         | 010-9751-04 |
| Date:               | 9/11/2012   |
| Status:             | Production  |
| Replaces Catalog #: | New Design  |

Data is based upon tests performed by Universal Lighting Technologies in a controlled environment and is representative of relative performance. Actual performance may vary depending on operating conditions. Specifications are subject to change without notice.