

## C240SI120RH & C240SI277RH

### APPLICATION and PERFORMANCE SPECIFICATION

**Description:**

High frequency electronic ballast designed exclusively for 2 or 1 FT40W/2G11 lamps

- Line Voltage: 120vac or 277vac, ±10%, 60Hz
- End-of-Lamp-Life Safety Shutdown Circuit
- Instant Start
- Passive Power Factor Correction

Lamp Type	Line Volts	Lamp #	Input Watts	Nominal Line Amps	Power Factor	Ballast Factor	Ballast Efficacy Factor	Harmonic Total	Crest Factor
<b>FT40W/2G11</b>	<b>120</b>	<b>2</b>	<b>70</b>	<b>0.59</b>	<b>&gt; .95</b>	<b>.88</b>	<b>1.26</b>	<b>&lt; 20%</b>	<b>&lt; 1.7</b>
FT40W/2G11	120	1	43	0.38	> .90	1.02	2.37	< 20%	< 1.7
<b>FT40W/2G11</b>	<b>277</b>	<b>2</b>	<b>70</b>	<b>0.25</b>	<b>&gt; .95</b>	<b>.88</b>	<b>1.26</b>	<b>&lt; 20%</b>	<b>&lt; 1.7</b>
FT40W/2G11	277	1	43	0.17	> .90	1.02	2.37	< 20%	< 1.7

Application and Performance Specification Information Subject to Change without Notification.

**Performance:**

- Meets ANSI Standard C82.11-1993
- Meets ANSI Standard C62.41-1991
- Meets FCC Part 18 (Class A) for EMI and RFI Non-Consumer Limits

**Safety:**

- No PCB's
- UL listed (Class P, Type 1 Outdoor)
- CSA Certified

**Application:**

- Minimum Starting Temperature: 50° F, 10° C
- Maximum Ambient Temperature: 105° F, 40° C
- Sound Rated: A
- Remote Mounting: 12 ft. max. lead length, 18 AWG

**Physical Parameters**

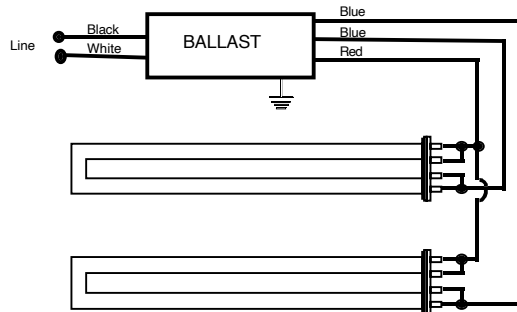
- Length: 9.50"
- Width: 2.40"
- Height: 1.55"
- Weight: 2.70 lbs.
- Lead Length: White, Black 25" (± 1")  
Red, Blue 33" (± 1")

**Warranty:**

Universal Lighting Technologies warrants to the purchaser that each electronic ballast will be free from defects in material or workmanship for a period of 5 years from date of manufacture when properly installed and under normal conditions of use. Call **1-800-BALLASTx800** for technical assistance.

**Manufactured in North America**

**Ballast must be Grounded**



Note: For one lamp application, cap one blue lead, insulate to 600 volts