

ESB1040-14

APPLICATION and PERFORMANCE SPECIFICATION

Electronic ballast for 4, 3, 2 and 1 F120T12HO lamps

Electronic ballast for 4, 3, 2 and 1 Lamp F96T8HO lamps

Electronic ballast for T12HO/T8HO lamps in any combination as long as total length on each circuit does not exceed 9 ft

- Line Voltage: 120 - 277 vac, $\pm 10\%$, 50/60Hz
- Full Parallel Lamp Operation
- Instant Start Operation
- Active Power Factor Correction

Maximum load operating parameters (60Hz)

Lamp		Lamp Footage		Volts	Max Input Power (Watts)	Nominal Line Current (Amps)	Power Factor	Harmonic Total	Crest Factor
Type	#	Min	Max						
F120T12HO	4,3,2,1	10	40	120	341	2.85	>.99	<10%	<1.7
F120T12HO	4,3,2,1	10	40	277	331	1.25	>.95	<10%	<1.7
F96T8HO	4,3,2,1	8	32	120	321	2.69	>.99	<10%	<1.7
F96T8HO	4,3,2,1	8	32	277	313	1.19	>.95	<10%	<1.7

Application and Performance Specification Information Subject to Change without Notification.

Performance:

- Meets FCC Part 18 (Class A) for EMI and RFI Non-Consumer Limits

Safety:

- No PCB's
- cUL_{US} listed (Class P, Type HL, Type 2 Outdoor)

Application:

- Minimum Starting Temperature: -20° F, -29° C
- Maximum Case Temperature: 176° F, 80° C
- Sound Rated: A

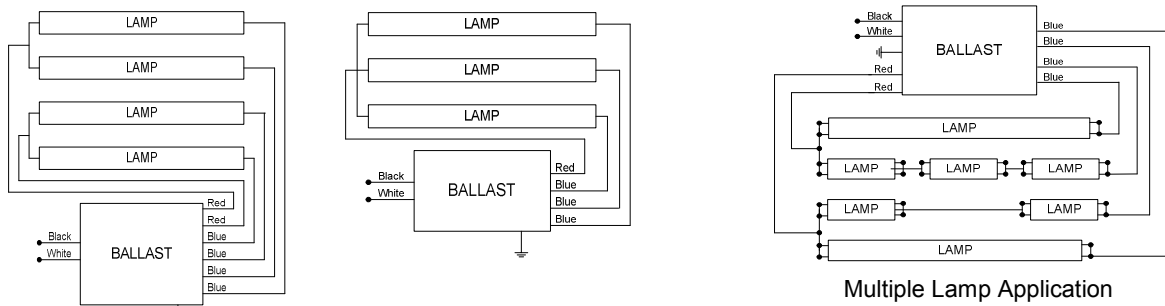
Physical Parameters:

- Length: 16.68"
- Width: 3.19"
- Height: 2.67"
- Weight: 10 lbs
- Carton Quantity: 1 piece
- Lead length: Black, White 24" ($\pm 1"$)
Red, Blue 120" ($\pm 1"$)

Warranty:

Universal Lighting Technologies warrants to the purchaser that each electronic ballast will be free from defects in material or workmanship for a period of 4 years from date of manufacture when properly installed and under normal conditions of use. Call **1-800-BALLASTx800** for technical assistance.

Manufactured in North America



For 3-lamp, 2-lamp and 1-lamp application individually cap red and blue leads

