

B432IUNVHP-A

APPLICATION and PERFORMANCE SPECIFICATION

Description: High frequency electronic ballast for (4/3) F32T8, (4/3) F32T8ES, (4/3) F32T8ES-25W, (4/3) F28T8, (4) F25T8, (4) F17T8, (4) F25T12, and (3) F40T8. Also equivalent U-shaped lamps.

- Line Voltage: 108vac - 305vac, 50/60Hz
- Instant Start
- Parallel Lamp Operation

Lamp		Volts	Input Watts	Nominal Line Amps	Power Factor	Ballast Factor	Ballast Efficacy Factor	Harmonic Total	Crest Factor
Type	#								
F32T8	4	120	112	0.93	> .99	.88	0.79	< 10%	< 1.7
F32T8	4	277	108	0.40	> .98	.88	0.81	< 10%	< 1.7
F32T8	3	120	92	0.77	> .99	.94	1.02	< 10%	< 1.7
F32T8	3	277	89	0.34	> .95	.94	1.06	< 10%	< 1.7
F32T8ES	4	120	104	0.87	> .98	.88	0.85	< 10%	< 1.7
F32T8ES	4	277	101	0.38	> .95	.88	0.87	< 10%	< 1.7
F32T8ES	3	120	86	0.72	> .98	.96	1.12	< 10%	< 1.7
F32T8ES	3	277	84	0.32	> .95	.96	1.14	< 10%	< 1.7
F32T8ES (25W)	4	120	90	0.74	> .98	.89	0.99	< 10%	< 1.7
F32T8ES (25W)	4	277	88	0.33	> .95	.89	1.01	< 10%	< 1.7
F32T8ES (25W)	3	120	73	0.61	> .98	.97	1.33	< 10%	< 1.7
F32T8ES (25W)	3	277	72	0.27	> .95	.97	1.35	< 10%	< 1.7
F28T8	4	120	96	0.80	> .98	.89	0.93	< 10%	< 1.7
F28T8	4	277	93	0.35	> .95	.88	0.95	< 10%	< 1.7
F28T8	3	120	79	0.66	> .98	.97	1.23	< 10%	< 1.7
F28T8	3	277	77	0.29	> .95	.97	1.26	< 10%	< 1.7
F25T8	4	120	87	0.72	> .99	.89	1.02	< 10%	< 1.7
F25T8	4	277	85	0.32	> .95	.89	1.05	< 10%	< 1.7
F17T8	4	120	59	0.49	> .98	.90	1.53	< 10%	< 1.7
F17T8	4	277	58	0.22	> .90	.90	1.55	< 10%	< 1.7
F25T12	4	120	91	0.77	> .99	.90	0.99	< 10%	< 1.7
F25T12	4	277	88	0.34	> .95	.90	1.02	< 10%	< 1.7
F40T8	3	120	114	0.95	> .99	.92	0.81	< 10%	< 1.7
F40T8	3	277	109	0.41	> .98	.92	0.84	< 10%	< 1.7

Application and Performance Specification Information Subject to Change without Notification

Performance:

- Meets ANSI Standard C82.11-1993
- Meets ANSI Standard C62.41-1991
- Meets FCC Part 18 (Class A) for EMI and RFI Non-Consumer Limits
- Anti-striation circuitry

Safety:

- No PCB's
- UL listed (Class P, Type 1 Outdoor, Type HL)
- CSA Certified

Application:

- Minimum Starting Temperature: 0° F, -18° C
- For F40T8 lamps: 32° F, 0° C
- For ES & 28W Lamps: 60° F, 16° C
- Maximum Case Temperature: 167° F, 75° C
- Sound Rated: A
- Remote Mounting: 18 ft. max. lead length, 18 AWG
- No remote/tandem wiring for ES lamps

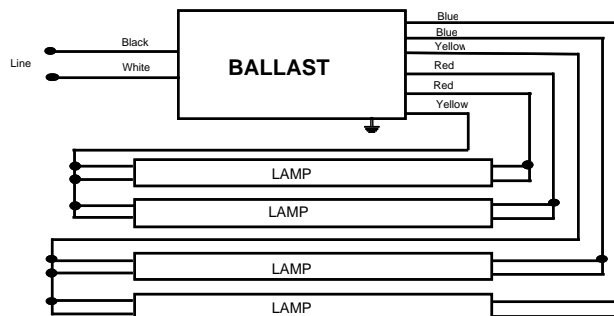
Physical Parameters:

- Length: 9.50"
- Width: 1.70"
- Height: 1.18"
- Weight: 1.7 lbs.
- Lead Length: White, Black 25" (± 1")
- Red & Blue 31" (± 1")
- Yellow 45" (± 1")

Warranty:

Universal Lighting Technologies warrants to the purchaser that each electronic ballast will be free from defects in material or workmanship for a period of 5 years from date of manufacture when properly installed and under normal conditions of use. Call 1-800-BALLASTx800 for technical assistance.

Manufactured in North America



Note: For three lamp operation, cap any blue lead, insulate to 600 volts

Ballast must be grounded in accordance with national and local electrical codes.

