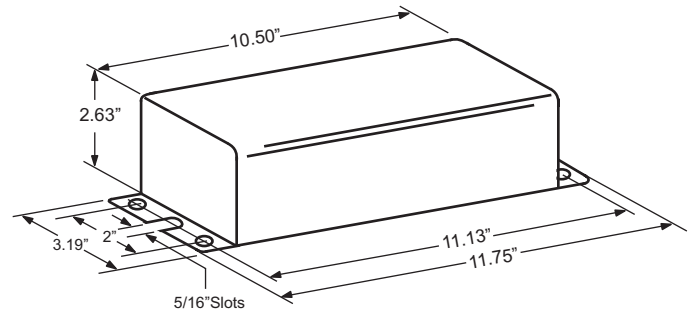


CATALOG NUMBER: E-MZA0FT100F FOR ONE 100 WATT, M90 METAL HALIDE LAMP

| | |
|-----------------------------|------------------|
| Line Voltage | 120/277V |
| Regulation | |
| Line Volts | +/- 5% |
| Lamp Watts | +/-10% |
| Frequency | 60 Hz |
| Circuit Type | HX-HPF |
| Power Factor (min) | 90% |
| Insulation Class | A(105°) |
| Min. Ambient Starting Temp. | -20° F or -30° C |



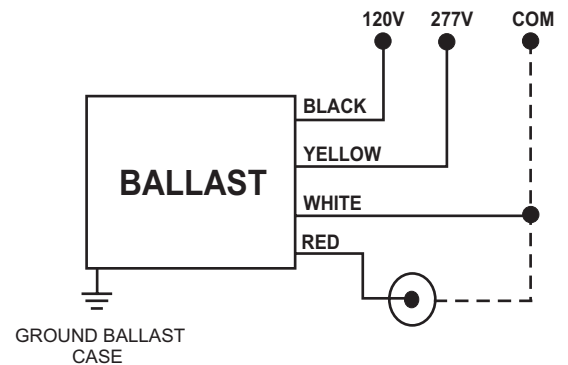
| | | |
|-----------------------------------|-------------|-------------|
| Line Voltage (Volts) | 120 | 277 |
| Line Current (Amps) | | |
| Operating | 1.10 | 0.48 |
| Open Circuit | 2.50 | 1.07 |
| Starting | 0.79 | 0.33 |
| Input Watts (W) | 125 | 125 |
| Open Circuit Voltage (V) | 260 | 260 |
| Drop Out Voltage (V) | 84 | 194 |
| UL(1029) Bench Top Rise | | |
| Recommended Fuse (Amps) | 8 | 4 |
| HIGH POTENTIAL TEST (VOLTS) | | |
| 1 Minute | 2000 | |
| 2 Seconds | 2500 | |
| Open Circuit Voltage Test(volts) | 230-290 | |
| Short-Circuit Current Test (Amps) | | |
| Secondary Current | 1.10 - 1.32 | |
| Input Current (Amps) | 0.60 - 0.90 | 0.26 - 0.36 |

| | |
|-----------------------|-------|
| Weight (Lbs) | 11.60 |
| Lead lengths (Inches) | 12.00 |
| Sound rating | B |

IGNITOR: IN CAN

The ignitor is included as part of the potted assembly.
Ballast to Lamp distance (BTL)= 50 feet.
Temp. Rating: 90° C

WIRING DIAGRAM



120/277 VOLT CONNECTION

Data is based upon tests performed by Industrias Sola Basic in a controlled environment and representative of relative performance. Actual Performance can vary depending on operating conditions. Specifications are subject to change without notice.

