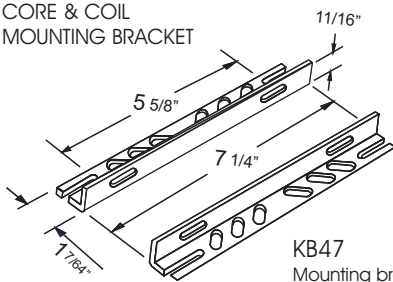


CATALOG NUMBER: E-MCA0DD751 FOR ONE 750 WATT, M149 METAL HALIDE PULSE START LAMP

Line Voltage	480V
Regulation	
Line Volts	+/-10%
Lamp Watts	+/-10%
Frequency	60 Hz
Circuit Type	CWA
Power Factor (min)	90%
Insulation Class	H(180°)
Min. Ambient Starting Temp.	-20° F or -30° C

Line Voltage (Volts)	480
Line Current (Amps)	1.75
Operating	1.38
Open Circuit	1.20
Starting	1.20
Input Watts (W)	818
Open Circuit Voltage (V)	360
Drop Out Voltage (V)	240
UL(1029) Bench Top Rise	D
Recommended Fuse (Amps)	5
HIGH POTENTIAL TEST (VOLTS)	
1 Minute	2000
2 Seconds	2500
Open Circuit Voltage Test(volts)	325-400
Short-Circuit Current Test (Amps)	
Secondary Current	4.4 - 5.3
Input Current (Amps)	0.90 - 1.35

BRACKET CORE & COIL MOUNTING BRACKET



KB47
Mounting bracket for
Core & Coil Ballasts
(2 brackets with thru bolts)



C-01
MOUNTING CLIP for round
case (Furnished as standard
with B suffix ballast)

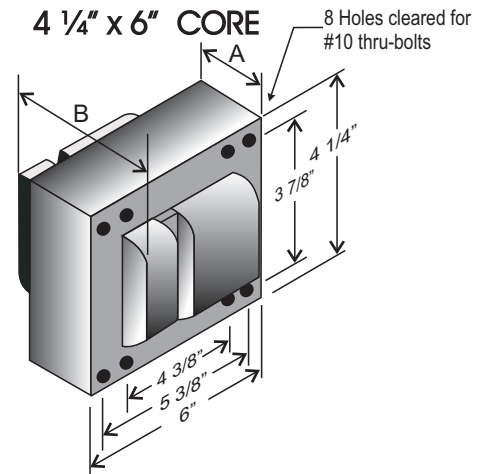


I-01
MOUNTING CLIP for oval
case (Furnished as standard
with B suffix ballast)

ORDERING INFORMATION

*** Add proper suffix to catalog number when ordering as indicated below:
No suffix = Core and Coil Only
B= Core and Coil, and Bracket
C=Core and Coil, and Capacitor
BC=Core and Coil, Capacitor and Bracket

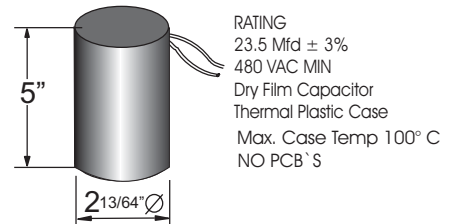
Data is based upon tests performed by Industrias Sola Basic in a controlled environment and representative of relative performance. Actual Performance can vary depending on operating conditions. Specifications are subject to change without notice.



CORE AND COIL

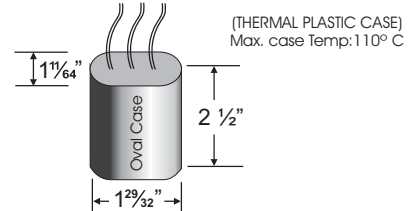
Dimension A (inches)	2.40
Dimension B (inches)	4.40
Weight (Lbs)	20.00
Lead Lengths (inches)	12

CAPACITOR

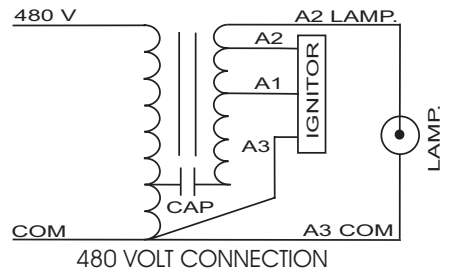


IGNITOR 356-AS-751-MH

Ballast to Lamp Distance (BTL): 5 feet



WIRING DIAGRAM



ISO 9001:2000

