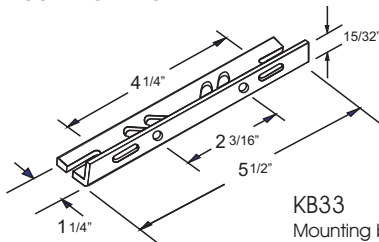


CATALOG NUMBER: E-MCA00W200 FOR ONE 200 WATT, M136 METAL HALIDE PULSE START LAMP

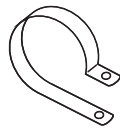
| | |
|-----------------------------|------------------|
| Line Voltage | 120/208/240/277V |
| Regulation | |
| Line Volts | +/-10% |
| Lamp Watts | +/- 10% |
| Frequency | 60 Hz |
| Circuit Type | CWA |
| Power Factor (min) | 90% |
| Insulation Class | H(180°) |
| Min. Ambient Starting Temp. | -20° F or -30° C |

| Line Voltage (Volts) | 120 | 208 | 240 | 277 |
|--|------------|------|------|------|
| Line Current (Amps) | | | | |
| Operating | 2.0 | 1.20 | 1.0 | 0.90 |
| Open Circuit | 2.0 | 1.20 | 1.0 | 0.90 |
| Starting | 1.0 | 0.60 | 0.52 | 0.45 |
| Input Watts (W) | 232 | 232 | 232 | 232 |
| Open Circuit Voltage (V) | 270 | 270 | 270 | 270 |
| Drop Out Voltage (V) | 65 | 105 | 125 | 150 |
| UL(1029) Bench Top Rise | B | B | A | B |
| Recommended Fuse (Amps) | 6 | 4 | 3 | 3 |
| HIGH POTENTIAL TEST (VOLTS) | | | | |
| 1 Minute | 2000 | | | |
| 2 Seconds | 2500 | | | |
| Open Circuit Voltage Test(volts) | 250-300 | | | |
| Short-Circuit Current Test (Amps) | | | | |
| Secondary Current | 1.8 - 2.15 | | | |
| Input Current (Amps) | 1.15 | 0.65 | 0.60 | 0.50 |

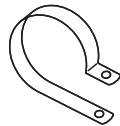
BRACKET CORE & COIL MOUNTING BRACKET



KB33
Mounting bracket for
Core & Coil Ballasts
(1 bracket with thru bolts)



C-01
MOUNTING CLIP for round
case (Furnished as standard
with B suffix ballast)



I-01
MOUNTING CLIP for oval
case (Furnished as standard
with B suffix ballast)

ORDERING INFORMATION

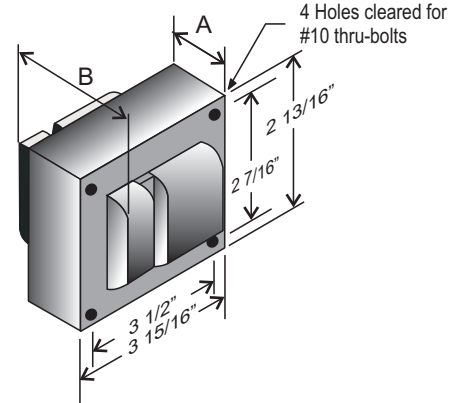
*** Add proper suffix to catalog number when ordering as indicated below:
No suffix = Core and Coil Only
B= Core and Coil, and Bracket
C=Core and Coil, and Capacitor
BC=Core and Coil, Capacitor and Bracket

Data is based upon tests performed by Industrias Sola Basic in a controlled environment and representative of relative performance. Actual Performance can vary depending on operating conditions. Specifications are subject to change without notice.

ISO 9001:2000



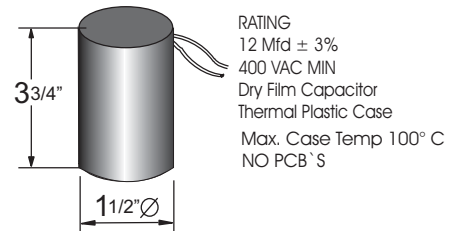
3" x 4" CORE



CORE AND COIL

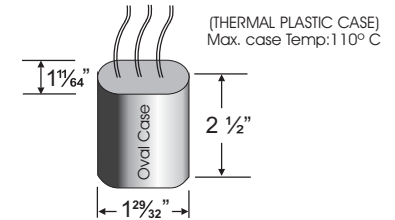
| | |
|-----------------------|------|
| Dimension A (inches) | 2.50 |
| Dimension B (inches) | 3.60 |
| Weight (Lbs) | 8.30 |
| Lead Lengths (inches) | 12 |

CAPACITOR



IGNITOR 356-AS-21-MH

Ballast to Lamp Distance (BTL): 2 feet



WIRING DIAGRAM

