

Slim LED Ceiling light with occupancy sensor that automatically detects motion and turns light On and Off.



APPLICATIONS

Ideal for utility rooms, work rooms, storage rooms, laundry rooms, and other small spaces.

Project	
Type	
Date	
Notes	

SPECIFICATIONS

Construction

Durable thermoplastic housing with built in occupancy sensor. Four mounting holes on housing to position for maximum coverage.

Optics

The fixture delivers a total output of 956 lumens at an efficacy of 80 lumens per watt. LEDs have a color temperature of 4000K natural white. The fixture is ideal for indoor use. LED life of 50,000 hours.

Electrical

Total system wattage of the unit is 12W measured, 14W maximum. The driver operates at 120V.

Mounting

Four mounting holes on housing to position the fixture.

Finish

Standard finish is white.

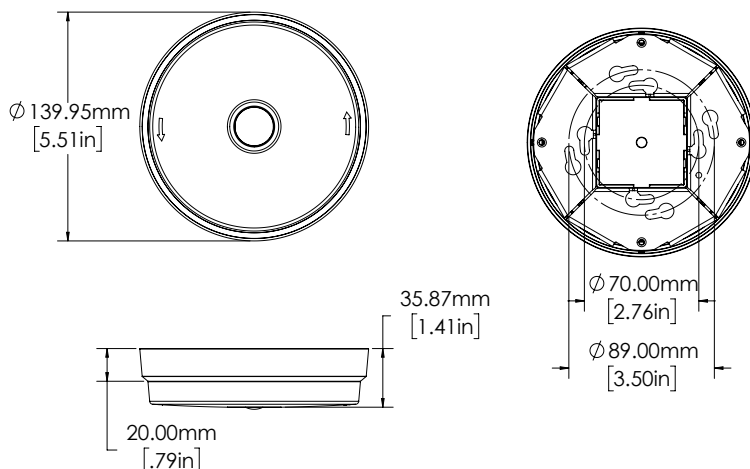
Sensor

No wall switch needed, occupancy sensor automatically detects motion and turns light on. Light is turned off after one minute once room is vacated.

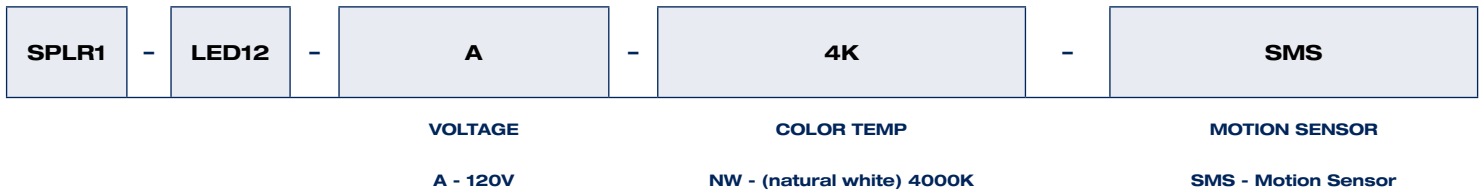
Input Watts	12W measured 14W maximum
Lumens	956
Efficacy	80 lumens/watt

Warranty	5 Years
Color Temperature	4000K (natural white)
LED life	50,000 hours
Voltage	120V
Power Factor	0.99
CRI	>80

DIMENSIONS



ORDERING GUIDE



* Standard configuration