



Small, general purpose lighting that's pocket friendly.

Color: Bronze

Weight: 0.7 lbs

**Project:**

**Type:**

**Prepared By:**

**Date:**

### Driver Info

Type	Constant Current
120V	0.1A
208V	N/A
240V	N/A
277V	N/A
Input Watts	14.80W

### LED Info

Watts	15W
Color Temp	5000K (Cool)
Color Accuracy	85 CRI
L70 Lifespan	50,000
Lumens	1,522
Efficacy	102.8 LPW

## Technical Specifications

### Listings

#### UL Listed:

Suitable for wet locations. Suitable for ground mounting.

#### IESNA LM-79 & LM-80 Testing:

RAB LED luminaires and LED components have been tested by an independent laboratory in accordance with IESNA LM-79 and LM-80.

#### DLC Listed:

This product is on the Design Lights Consortium (DLC) Qualified Products List and is eligible for rebates from DLC Member Utilities. DLC Product Code: PBFXX1P

### Electrical

#### Driver:

Constant Current, 120V, 60 Hz, 120V: 0.125A

#### THD:

15% at 120V

#### Power Factor:

98.9% at 120V

#### Surge Protection:

2kV

#### Note:

All values are typical (tolerance +/- 10%)

### Optical

#### NEMA Type:

NEMA Beam Spread of 7H x 7V

### LED Characteristics

#### LEDs:

Long-life, high-efficacy, surface-mount LEDs

#### Lifespan:

50,000-hour LED lifespan based on IES LM-80 results and TM-21 calculations

#### Color Uniformity:

RAB's range of Correlated Color Temperature follows the guidelines of the American National Standard for Specifications for the Chromaticity of Solid State Lighting (SSL) Products, ANSI C78.377-2017.

### Construction

#### IP Rating:

Ingress Protection rating of IP65 for dust and water

#### Cold Weather Starting:

Minimum starting temperature is -40°C (-40°F)

#### Maximum Ambient Temperature:

Suitable for use in 40°C (104°F)

#### Housing:

Die-cast aluminum

#### Mounting:

Robust knuckle mount with 180° adjustable swivel arm. Tilt angle in 10° increments.

#### Lens:

Tempered glass

#### Finish:

Formulated for high durability and long-lasting color

#### Green Technology:

Mercury and UV free. RoHS-compliant components.

## Technical Specifications (continued)

### Other

#### Equivalency:

Equivalent to 70W Metal Halide

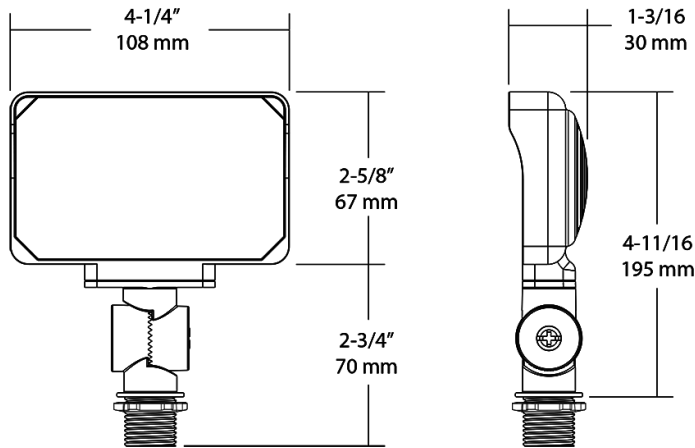
### 5 Yr Limited Warranty:

The RAB 5-year, limited warranty covers light output, driver performance and paint finish. RAB's warranty is subject to all terms and conditions found at [rablighting.com/warranty](http://rablighting.com/warranty).

### Buy American Act Compliance:

RAB values USA manufacturing! Upon request, RAB may be able to manufacture this product to be compliant with the Buy American Act (BAA). Please contact customer service to request a quote for the product to be made BAA compliant.

## Dimensions



## Features

- General purpose floodlight
- Very wide 7H x 7V NEMA distribution
- Low profile and lightweight
- IP65 rating protects against dust and water

## Ordering Matrix

Family	Lumen Packages (values are nominal)	Mounting	CRI/Color Temp	Driver/Voltage
X34	16L	Blank	Blank	/120
	16L = 1600 Lumens, 15W 25L = 2500 Lumens, 25W 35L = 3500 Lumens, 35W 55L = 5500 Lumens, 55W 65L = 6500 Lumens, 64W	Blank = Knuckle Mount	Blank = 80 CRI, 5000K -830 = 80 CRI, 3000K	/120 = 120V /277 = 277V