



General purpose lighting that's pocket friendly.

Color: Bronze

Weight: 7.3 lbs

Project:

Type:

Prepared By:

Date:

Driver Info

Type	Constant Current
120V	0.7A
208V	0.4A
240V	0.4A
277V	0.3A
Input Watts	86.80W

LED Info

Watts	87W
Color Temp	5000K (Cool)
Color Accuracy	83 CRI
L70 Lifespan	50,000
Lumens	10,619
Efficacy	122.3 LPW

Technical Specifications

Listings

UL Listed:

Suitable for wet locations. Suitable for ground mounting.

IESNA LM-79 & LM-80 Testing:

RAB LED luminaires and LED components have been tested by an independent laboratory in accordance with IESNA LM-79 and LM-80.

DLC Listed:

This product is on the Design Lights Consortium (DLC) Qualified Products List and is eligible for rebates from DLC Member Utilities. DLC Product Code: PN3DI19D

Electrical

Driver:

Constant Current, 120-277V, 50/60 Hz, 120V: 0.7A, 208V: 0.4A, 240V: 0.4A, 277V: 0.3A

Dimming Driver:

Driver includes wiring for 0-10V dimming systems. Dim as low as 10%.

THD:

2.4% at 120V, 9.9% at 277V

Power Factor:

99.6% at 120V, 94.1% at 277V

Note:

All values are typical (tolerance +/- 10%)

Optical

NEMA Type:

NEMA Beam Spread of 7H x 7V

LED Characteristics

LEDs:

Long-life, high-efficacy, surface-mount LEDs

Lifespan:

50,000-hour LED lifespan based on IES LM-80 results and TM-21 calculations

Color Uniformity:

RAB's range of Correlated Color Temperature follows the guidelines of the American National Standard for Specifications for the Chromaticity of Solid State Lighting (SSL) Products, ANSI C78.377-2017.

Construction

IP Rating:

Ingress Protection rating of IP65 for dust and water

EPA:

0.9

Cold Weather Starting:

Minimum starting temperature is -40°C (-40°F)

Maximum Ambient Temperature:

Suitable for use in 40°C (104°F)

Housing:

Precision die-cast aluminum

Mounting:

Trunnion with tilt angle in 30° increments

Lens:

Tempered glass

Finish:

Formulated for high durability and long-lasting color

Technical Specifications (continued)

Construction

Green Technology:

Mercury and UV free. RoHS-compliant components.

Other

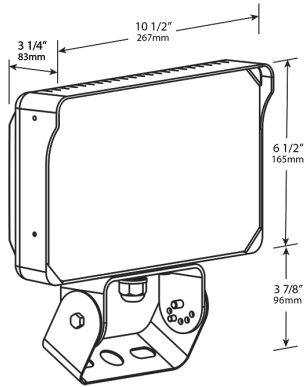
5 Yr Limited Warranty:

The RAB 5-year, limited warranty covers light output, driver performance and paint finish. RAB's warranty is subject to all terms and conditions found at rablighting.com/warranty.

Buy American Act Compliance:

RAB values USA manufacturing! Upon request, RAB may be able to manufacture this product to be compliant with the Buy American Act (BAA). Please contact customer service to request a quote for the product to be made BAA compliant.

Dimensions



Features

- Versatile, general-purpose floodlight
- 7H x 7V NEMA distribution
- 0-10V dimming
- IP65 rating protects against dust and water
- 50,000-Hour LED lifespan

Ordering Matrix

Family	Lumen Packages (values are nominal)	Mounting	CRI/Color Temp	Driver/Voltage
X34	100L	T		/U
	100L = 10,000 Lumens, 87W 150L = 15,000 Lumens, 130W 195L = 19,500 Lumens, 160W	SF = Slipfitter T = Trunnion	Blank = 80 CRI, 5000K -830 = 80 CRI, 3000K	/U = 120-277V, 0-10V Dimming