



# LED MR16

## 8MR16/LED/840/F35/DIM 12V 10/1FB

Philips LED MR-16 lamps with single optic technology provide the look and color quality of traditional halogens while using a fraction of the energy. A perfect fit for spot lighting, they are compatible with most existing fixtures with MR16 GU5.3 holders and are designed as a retrofit replacement for halogen or incandescent spots.

### Product data

General information	
Base	GU5.3 [ GU5.3]
EU RoHS compliant	Yes
Nominal Lifetime (Nom)	25000 h
Switching Cycle	50000X
Light technical	
Color Code	841 [ CCT of 4100K (841)]
Beam Angle (Nom)	35 °
Initial lumen (Nom)	660 lm
Luminous Intensity (Nom)	1800 cd
Color Designation	Cool White (CW)
Correlated Color Temperature (Nom)	4000 K
Luminous Efficacy (rated) (Nom)	82.00 lm/W
Color Consistency	<4
Color Rendering Index (Nom)	80
LLMF At End Of Nominal Lifetime (Nom)	70 %
Operating and electrical	
Input Frequency	- Hz
Power (Rated) (Nom)	8 W
Lamp Current (Nom)	720 mA

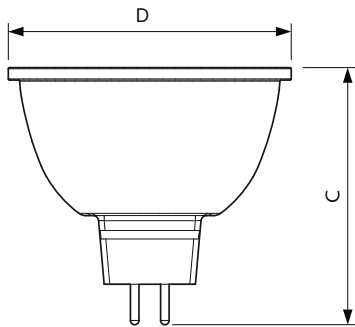
Wattage Equivalent	75 W
Starting Time (Nom)	0.5 s
Warm Up Time to 60% Light (Nom)	0.5 s
Power Factor (Nom)	0.7
Voltage (Nom)	ac electronic 12 V
Temperature	
T-Case Maximum (Nom)	93 °C
Controls and dimming	
Dimmable	Only with specific dimmers
Mechanical and housing	
Bulb Shape	MR16 [ 2inch/50mm]
Approval and application	
Suitable For Accent Lighting	Yes
Product data	
Order product name	8MR16/LED/840/F35/DIM 12V 10/1FB
EAN/UPC - Product	046677573959
Order code	573955

# LED MR16

Numerator - Quantity Per Pack	1
Numerator - Packs per outer box	10
Material Nr. (12NC)	929003072904

Net Weight (Piece)	0.060 kg
--------------------	----------

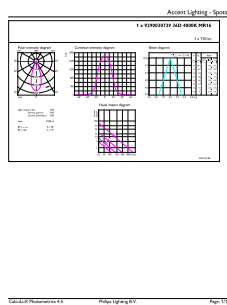
## Dimensional drawing



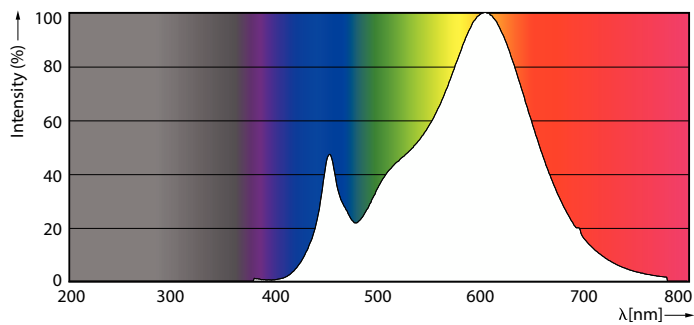
8MR16/LED/840/F35/DIM 12V 10/1FB

Product	D	C
8MR16/LED/840/F35/DIM 12V 10/1FB	50 mm	46.5 mm

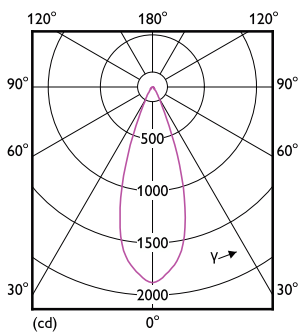
## Photometric data



LEDspots DIM IC 8W MR16 GU5,3 840 35D-ADL



LEDspots DIM IC 8W MR16 GU5,3 840 35D-POC



LEDspots DIM IC 8W MR16 GU5,3 840 35D-LDD

# LED MR16

## Lifetime



LEDspots LED 25K

LEDspots LMP 25K

