



# LED MR16

## 7.8MR16/PER/927/F35/Dim/EC/12V 10/1FB

Philips LED MR-16 lamps with single optic technology provide the look and color quality of traditional halogens while using a fraction of the energy. A perfect fit for spot lighting, they are compatible with most existing fixtures with MR16 GU5.3 holders and are designed as a retrofit replacement for halogen or incandescent spots.

### Product data

| General information                   |                     |
|---------------------------------------|---------------------|
| Base                                  | GU5.3 [ GU5.3]      |
| EU RoHS compliant                     | Yes                 |
| Nominal Lifetime (Nom)                | 25000 h             |
| Switching Cycle                       | 50000X              |
| Light technical                       |                     |
| Color Code                            | 927 [ CCT of 2700K] |
| Beam Angle (Nom)                      | 35 °                |
| Initial lumen (Nom)                   | 480 lm              |
| Luminous Intensity (Nom)              | 1320 cd             |
| Color Designation                     | Warm White (WW)     |
| Correlated Color Temperature (Nom)    | 2700 K              |
| Luminous Efficacy (rated) (Nom)       | 61.00 lm/W          |
| Color Consistency                     | <3                  |
| Color Rendering Index (Nom)           | 95                  |
| LLMF At End Of Nominal Lifetime (Nom) | 70 %                |
| Operating and electrical              |                     |
| Input Frequency                       | - Hz                |
| Power (Rated) (Nom)                   | 7.8 W               |
| Lamp Current (Nom)                    | 720 mA              |

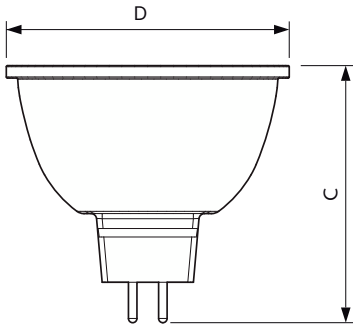
| Wattage Equivalent              | 50 W                                  |
|---------------------------------|---------------------------------------|
| Starting Time (Nom)             | 0.5 s                                 |
| Warm Up Time to 60% Light (Nom) | 0.5 s                                 |
| Power Factor (Nom)              | 0.7                                   |
| Voltage (Nom)                   | ac electronic 12 V                    |
| Temperature                     |                                       |
| T-Case Maximum (Nom)            | 93 °C                                 |
| Controls and dimming            |                                       |
| Dimmable                        | Only with specific dimmers            |
| Mechanical and housing          |                                       |
| Bulb Shape                      | MR16 [ 2inch/50mm]                    |
| Approval and application        |                                       |
| Suitable For Accent Lighting    | Yes                                   |
| Product data                    |                                       |
| Order product name              | 7.8MR16/PER/927/F35/Dim/EC/12V 10/1FB |
| EAN/UPC - Product               | 046677573638                          |
| Order code                      | 573634                                |

# LED MR16

|                                 |              |
|---------------------------------|--------------|
| Numerator - Quantity Per Pack   | 1            |
| Numerator - Packs per outer box | 10           |
| Material Nr. (12NC)             | 929003081304 |

|                    |          |
|--------------------|----------|
| Net Weight (Piece) | 0.052 kg |
|--------------------|----------|

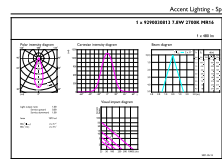
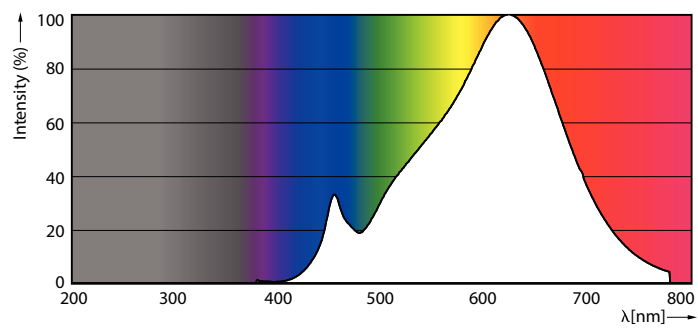
## Dimensional drawing



7.8MR16/PER/927/F35/Dim/EC/12V 10/1FB

| Product                               | D       | C     |
|---------------------------------------|---------|-------|
| 7.8MR16/PER/927/F35/Dim/EC/12V 10/1FB | 50.5 mm | 46 mm |

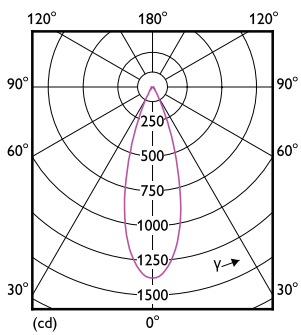
## Photometric data



DAVID PASCARELLI 01 7000-1000-11 Page 07

LEDspots DIM IC 7,8W MR16 GU5,3 927 10D-POC

LEDspots DIM IC 7,8W MR16 GU5,3 927 35D-ADL



LEDspots DIM IC 7,8W MR16 GU5,3 927 35D-LDD

# LED MR16

## Lifetime



LEDspots LED 25K

LEDspots LMP 25K

