



LED PAR30 S/L

8.5PAR30S/LED/940/F40/DIM/GULW/T20 6/1FB

Philips LED spots with a single optic beam, provide a clean beam that's free from shadows with beam angles from 15 and 40 degrees to suit every general lighting application.

Product data

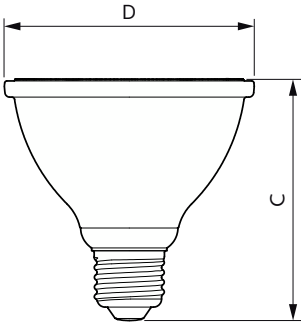
General information	
Base	E26 [Single Contact Medium Screw]
EU RoHS compliant	Yes
Nominal Lifetime (Nom)	25000 h
Switching Cycle	50000X
Light technical	
Color Code	940 [CCT of 4000K]
Beam Angle (Nom)	40 °
Initial lumen (Nom)	850 lm
Luminous Intensity (Nom)	1600 cd
Color Designation	Cool White (CW)
Correlated Color Temperature (Nom)	4000 K
Luminous Efficacy (rated) (Nom)	100.00 lm/W
Color Consistency	<4
Color Rendering Index (Nom)	90
LLMF At End Of Nominal Lifetime (Nom)	70 %
Operating and electrical	
Input Frequency	50 to 60 Hz
Power (Rated) (Nom)	8.5 W
Lamp Current (Nom)	80 mA
Wattage Equivalent	75 W
Starting Time (Nom)	0.5 s

Warm Up Time to 60% Light (Nom)	0.5 s
Power Factor (Nom)	0.9
Voltage (Nom)	120 V
Temperature	
T-Case Maximum (Nom)	70 °C
Controls and dimming	
Dimmable	Only with specific dimmers
Mechanical and housing	
Bulb Shape	PAR30S [PAR 3.75 inch/95mm Short]
Approval and application	
Suitable For Accent Lighting	Yes
Product data	
Order product name	8.5PAR30S/LED/940/F40/DIM/GULW/T20 6/1FB
EAN/UPC - Product	046677568054
Order code	568055
Numerator - Quantity Per Pack	1
Numerator - Packs per outer box	6
Material Nr. (12NC)	929003028204

LED PAR30 S/L

Net Weight (Piece) 0.220 kg

Dimensional drawing

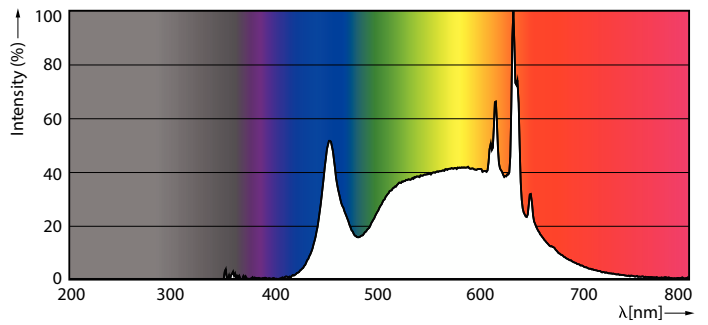
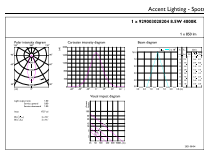


8.5PAR30S/LED/940/F40/DIM/GULW/T20 6/1FB

Product

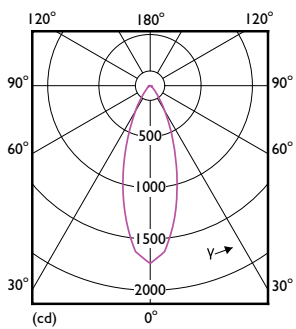
8.5PAR30S/LED/940/F40/DIM/GULW/T20 6/1FB

Photometric data



LEDspots N DIM 8,5W PAR30S E26 940 40D 1-ADL

LEDspots N DIM 8,5W PAR30L E26 940 40D-POC



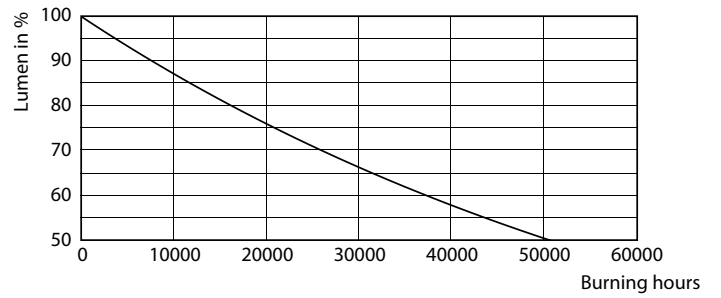
LEDspots N DIM 8,5W PAR30S E26 940 40D-LDD

LED PAR30 S/L

Lifetime



LEDspots LED 25K



LEDspots LMP 25K

