



LED AR111

16AR111/LED/930/F25/DIM/EC 12V 6/1FB

With an elegant new design, Philips MasterClass LED AR111 creates a brilliant visual effect. With excellent rendering of 90+ CRI and R9>50, colors stay vibrant and natural, enhancing the appeal of everything on display.

Product data

General information	
Base	G53 [G53]
EU RoHS compliant	Yes
Nominal Lifetime (Nom)	40000 h
Switching Cycle	50000X
Technical Type	16-75W
Light technical	
Color Code	930 [CCT of 3000K]
Beam Angle (Nom)	25°
Initial lumen (Nom)	900 lm
Luminous Intensity (Nom)	3500 cd
Color Designation	White (WH)
Correlated Color Temperature (Nom)	3000 K
Luminous Efficacy (rated) (Nom)	56.00 lm/W
Color Consistency	<4
Color Rendering Index (Nom)	97
LLMF At End Of Nominal Lifetime (Nom)	70 %
Operating and electrical	
Input Frequency	- Hz
Power (Rated) (Nom)	16 W
Lamp Current (Nom)	1800 mA
Wattage Equivalent	75 W

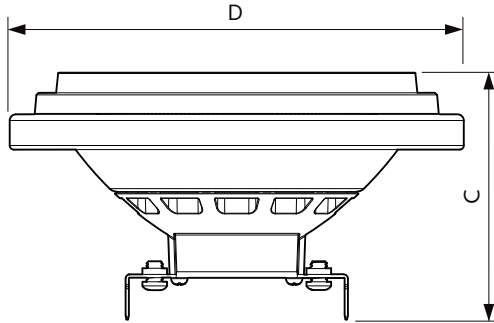
Starting Time (Nom)	0.5 s
Warm Up Time to 60% Light (Nom)	0.5 s
Power Factor (Nom)	0.7
Voltage (Nom)	ac electronic 12 V
Temperature	
T-Case Maximum (Nom)	74 °C
Controls and dimming	
Dimmable	Yes
Mechanical and housing	
Bulb Finish	Clear
Bulb Material	Plastic
Bulb Shape	AR111
Approval and application	
Suitable For Accent Lighting	Yes
Energy Consumption kWh/1000 h	- kWh
Energy Certifications	No
Product data	
Order product name	16AR111/LED/930/F25/DIM/EC 12V 6/1FB
EAN/UPC - Product	046677552428

LED AR111

Order code	552422
Numerator - Quantity Per Pack	1
Numerator - Packs per outer box	6
Material Nr. (12NC)	929002239104

Net Weight (Piece)	0.160 kg
--------------------	----------

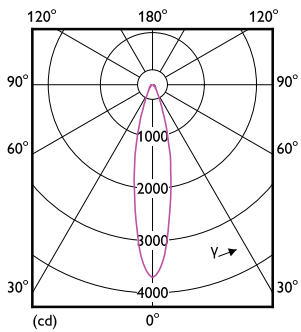
Dimensional drawing



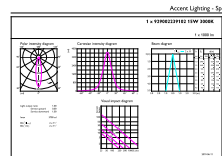
16AR111/LED/930/F25/DIM/EC 12V 6/1FB

Product	D	C
16AR111/LED/930/F25/DIM/EC 12V 6/1FB	111 mm	62 mm

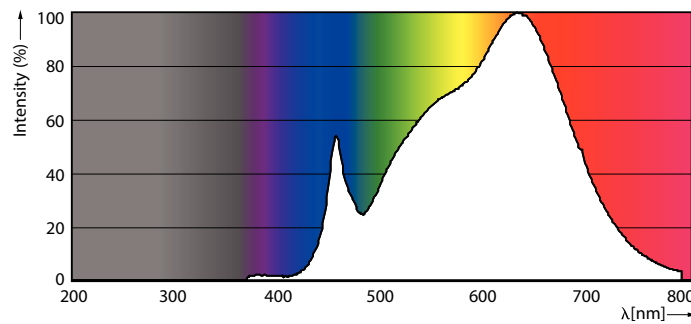
Photometric data



LEDspots 75W G53 AR111 930 24D



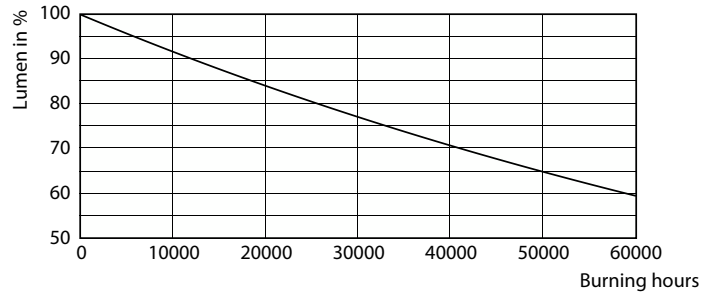
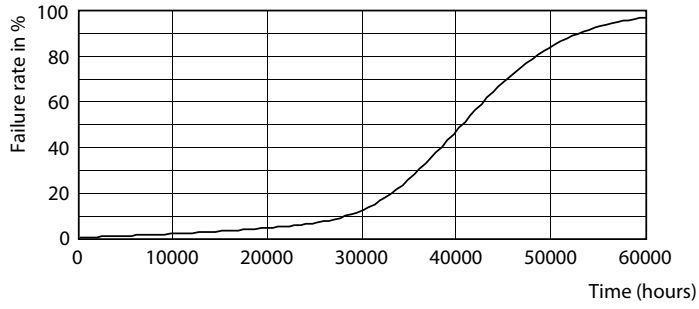
LEDspots 75W G53 AR111 930 24D



LEDspots 75W G53 AR111 930

LED AR111

Lifetime



Life Expectancy Diagram

Lumen Maintenance Diagram

