



LED Designer Deco

24UFO/LED/865/FR/P/ND 6/1FB

Philips LED Designer Deco lamps allow you to maintain a warm, classic light or a modern, chic effect while providing longer life and energy savings

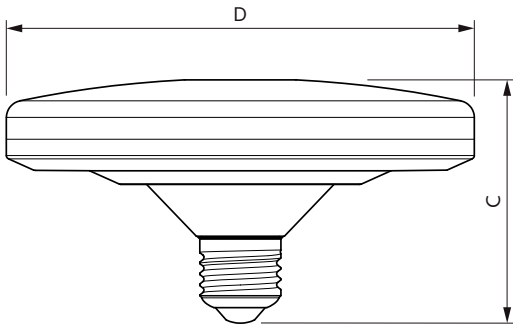
Product data

General Information	
Base	E26 [Single Contact Medium Screw]
EU RoHS compliant	Yes
Nominal Lifetime (Nom)	15000 h
Switching Cycle	50000X
Technical Type	26-125W
Light Technical	
Color Code	865 [CCT of 6500K]
Beam Angle (Nom)	120 °
Initial lumen (Nom)	2050 lm
Luminous Flux (Rated) (Nom)	2050 lm
Color Designation	Cool Daylight
Correlated Color Temperature (Nom)	6500 K
Luminous Efficacy (rated) (Nom)	78.00 lm/W
Color Consistency	<6
Color Rendering Index (Nom)	80
LLMF At End Of Nominal Lifetime (Nom)	70 %
Operating and Electrical	
Input Frequency	50 to 60 Hz
Power (Rated) (Nom)	26 W
Lamp Current (Nom)	360 mA
Wattage Equivalent	125 W

Starting Time (Nom)	0.5 s
Warm Up Time to 60% Light (Nom)	0.5 s
Power Factor (Nom)	0.5
Voltage (Nom)	110-240 V
Temperature	
T-Case Maximum (Nom)	72 °C
Controls and Dimming	
Dimmable	No
Mechanical and Housing	
Bulb Finish	Frosted
Product Data	
XUCDM.COPY.Product.Title	26UFO/LED/865/FR/P/ND 6/1FB
EAN/UPC - Product	046677545130
Order code	545137
Numerator - Quantity Per Pack	1
Numerator - Packs per outer box	6
Material Nr. (12NC)	929002010805
Net Weight (Piece)	0.253 kg

LED Designer Deco

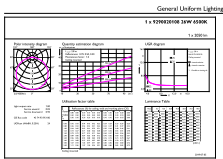
Dimensional drawing



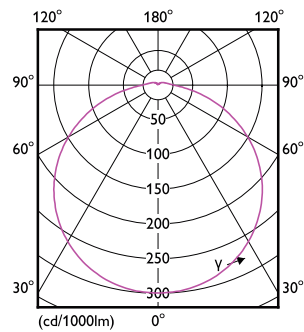
Bulb 110-240V 24-W 2200lm 6500K E26 ND

Product	D	C
26UFO/LED/865/FR/P/ND 6/1FB	200 mm	77 mm

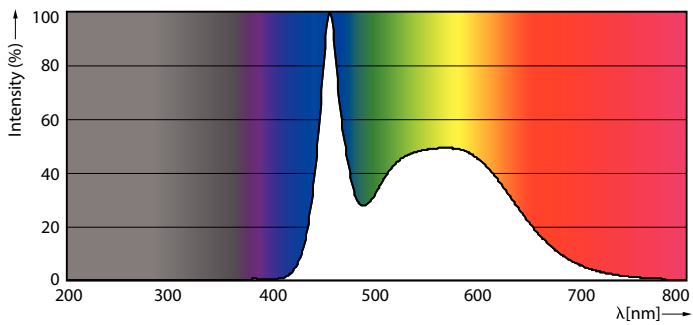
Photometric data



General Uniform Lighting

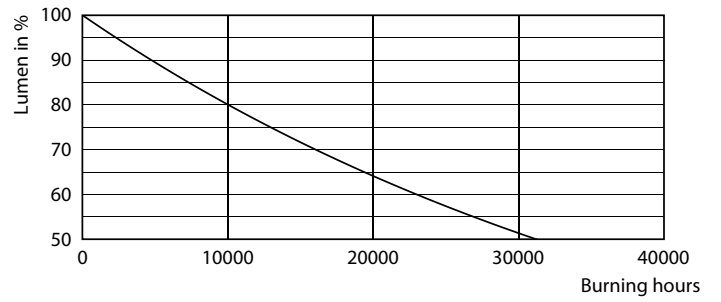
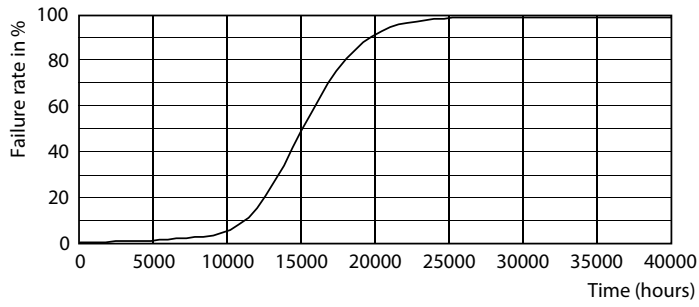


LEDbulb UFO 125W E26 Others 865 Frosted



LEDbulb UFO 125W E26 Others 865 Frosted

Lifetime



LEDbulb_15K LED

LEDbulb_15K LMP

