



LED MR16

8.5MR16/LED/827/F25/DIM 12V 10/1FB

Philips LED MR-16 lamps with single optic technology provide the look and color quality of traditional halogens while using a fraction of the energy. A perfect fit for spot lighting, they are compatible with most existing fixtures with MR16 GU5.3 holders and are designed as a retrofit replacement for halogen or incandescent spots.

Product data

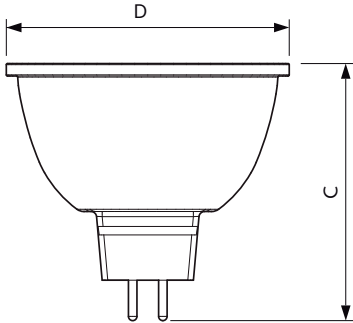
General Information	
Base	GU5.3 [GU5.3]
EU RoHS compliant	Yes
Nominal Lifetime (Nom)	25000 h
Switching Cycle	50000X
Technical Type	8.5-75W
Light Technical	
Color Code	827 [CCT of 2700K]
Beam Angle (Nom)	25 °
Initial lumen (Nom)	600 lm
Luminous Flux (Rated) (Nom)	600 lm
Luminous Intensity (Nom)	3100 cd
Color Designation	Warm White (WW)
Correlated Color Temperature (Nom)	2700 K
Luminous Efficacy (rated) (Nom)	70.00 lm/W
Color Consistency	<4
Color Rendering Index (Nom)	80
LLMF At End Of Nominal Lifetime (Nom)	70 %
Operating and Electrical	
Power (Rated) (Nom)	8.5 W

Lamp Current (Nom)	960 mA
Wattage Equivalent	75 W
Starting Time (Nom)	0.5 s
Warm Up Time to 60% Light (Nom)	0.5 s
Power Factor (Nom)	0.7
Voltage (Nom)	ac electronic 12 V
Temperature	
T-Case Maximum (Nom)	100 °C
Controls and Dimming	
Dimmable	Yes
Approval and Application	
Suitable For Accent Lighting	Yes
Product Data	
XUCDM.COPY.Product.Title	8.5MR16/LED/827/F25/DIM 12V 10/1FB
EAN/UPC - Product	046677533519
Order code	533513
Numerator - Quantity Per Pack	1
Numerator - Packs per outer box	10

LED MR16

Material Nr. (12NC)	929001881304
Net Weight (Piece)	0.050 kg

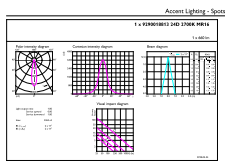
Dimensional drawing



MR16 12V 8-50W 621lm 24D 2700K GU5.3 D

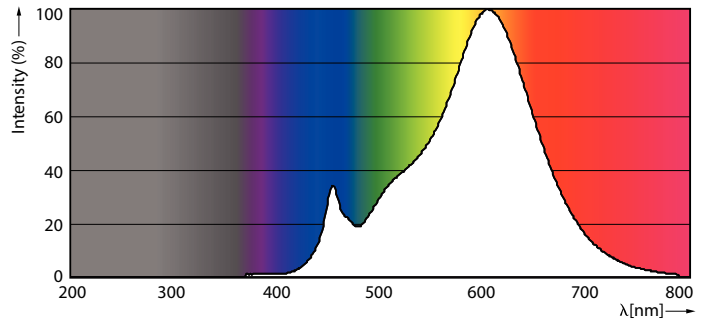
Product	D	C
8.5MR16/LED/827/F25/DIM 12V 10/1FB	50.5 mm	46.5 mm

Photometric data

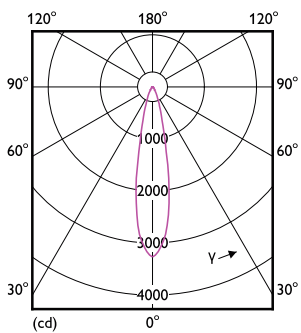


Access Lighting - Spain
F & FOTOMETRIC (2012-2013)
Access Lighting BV
Page 1/1

8-50W GU5-3 MR16 24D 827 2700K



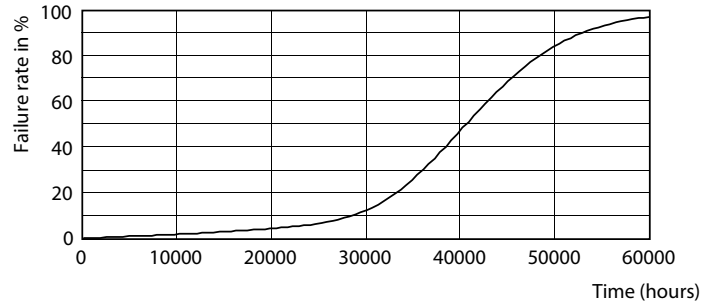
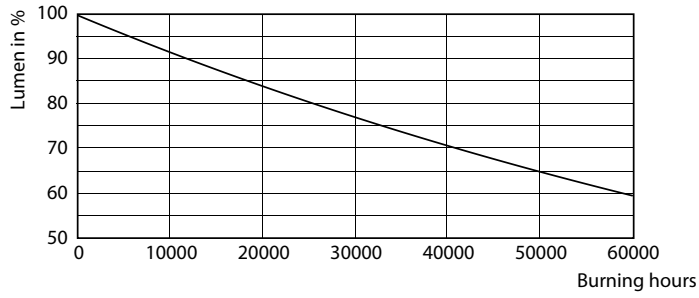
8-50W GU5-3 MR16



8-50W GU5-3 MR16 24D 827 2700K

LED MR16

Lifetime



7-50W GU5-3 MR16

7-50W GU5-3 MR16

