



LED MR16

8.5MR16/LED/840/F35/DIM 12V 10/1FB

Philips LED MR-16 lamps with single optic technology provide the look and color quality of traditional halogens while using a fraction of the energy. A perfect fit for spot lighting, they are compatible with most existing fixtures with MR16 GU5.3 holders and are designed as a retrofit replacement for halogen or incandescent spots.

Product data

General Information	
Base	GU5.3 [GU5.3]
EU RoHS compliant	Yes
Nominal Lifetime (Nom)	25000 h
Switching Cycle	50000X
Technical Type	8.5-75W
Light Technical	
Color Code	841 [CCT of 4100K (841)]
Beam Angle (Nom)	35 °
Initial lumen (Nom)	660 lm
Luminous Intensity (Nom)	1800 cd
Color Designation	Cool White (CW)
Correlated Color Temperature (Nom)	4000 K
Luminous Efficacy (rated) (Nom)	77.00 lm/W
Color Consistency	<4
Color Rendering Index (Nom)	80
LLMF At End Of Nominal Lifetime (Nom)	70 %
Operating and Electrical	
Input Frequency	- Hz
Power (Rated) (Nom)	8.5 W

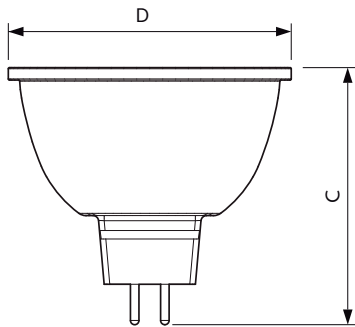
Lamp Current (Nom)	960 mA
Wattage Equivalent	75 W
Starting Time (Nom)	0.5 s
Warm Up Time to 60% Light (Nom)	0.5 s
Power Factor (Nom)	0.7
Voltage (Nom)	ac electronic 12 V
Temperature	
T-Case Maximum (Nom)	100 °C
Controls and Dimming	
Dimmable	Yes
Approval and Application	
Energy Efficiency Label (EEL)	Not applicable
Suitable For Accent Lighting	Yes
Energy Consumption kWh/1000 h	- kWh
Product Data	
Order product name	8.5MR16/LED/840/F35/DIM 12V 10/1FB
EAN/UPC - Product	046677533335
Order code	533331

LED MR16

Numerator - Quantity Per Pack	1
Numerator - Packs per outer box	10
Material Nr. (12NC)	929001881804

Net Weight (Piece)	0.052 kg
--------------------	----------

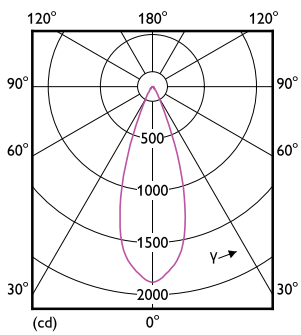
Dimensional drawing



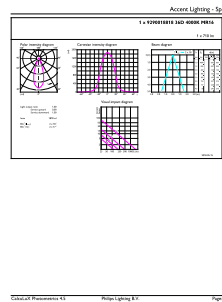
MR16 12V 8-50W 621lm 36D 4000K GU5.3 D

Product	D	C
8.5MR16/LED/840/F35/DIM 12V 10/1FB	50.5 mm	46.5 mm

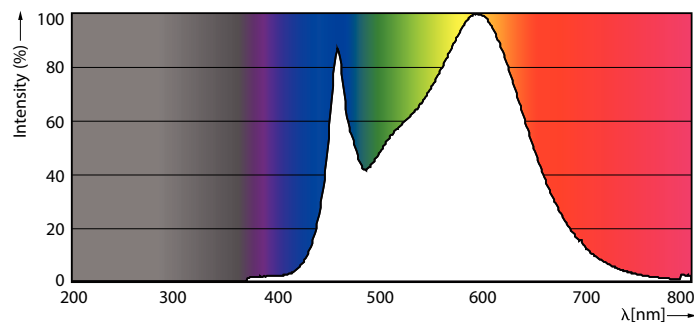
Photometric data



8-50W GU5-3 MR16 36D 840 4000K



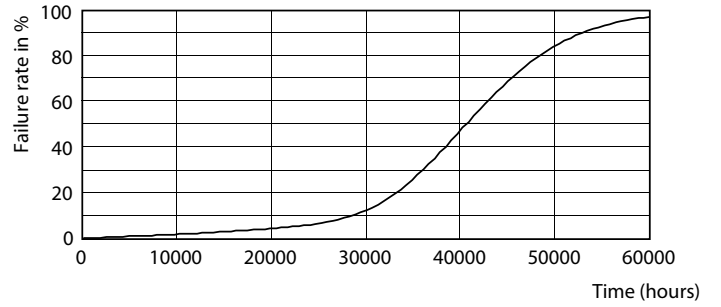
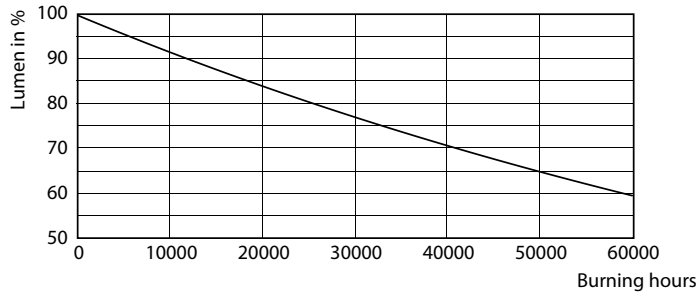
8-50W GU5-3 MR16 36D 840 4000K



8-50W GU5-3 MR16

LED MR16

Lifetime



7-50W GU5-3 MR16

7-50W GU5-3 MR16

