



LED MR16

6.5MR16/LED/F25/930/D/EC/12V T20 10/1FB

Philips LED MR-16 lamps with single optic technology provide the look and color quality of traditional halogens while using a fraction of the energy. A perfect fit for spot lighting, they are compatible with most existing fixtures with MR16 GU5.3 holders and are designed as a retrofit replacement for halogen or incandescent spots.

Product data

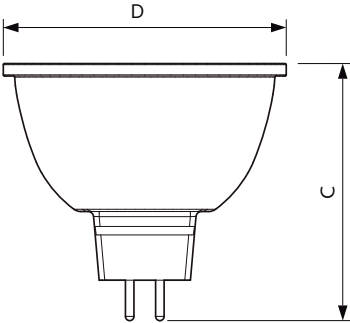
General Information	
Base	GU5.3 [GU5.3]
EU RoHS compliant	Yes
Nominal Lifetime (Nom)	25000 h
Switching Cycle	50000X
Technical Type	6.5-42W
Light Technical	
Color Code	930 [CCT of 3000K]
Beam Angle (Nom)	25 °
Initial lumen (Nom)	485 lm
Luminous Flux (Rated) (Nom)	485 lm
Luminous Intensity (Nom)	1960 cd
Color Designation	White (WH)
Correlated Color Temperature (Nom)	3000 K
Luminous Efficacy (rated) (Nom)	74.00 lm/W
Color Consistency	<3
Color Rendering Index (Nom)	91
LLMF At End Of Nominal Lifetime (Nom)	70 %
Operating and Electrical	
Power (Rated) (Nom)	6.5 W

Lamp Current (Nom)	700 mA
Wattage Equivalent	42 W
Starting Time (Nom)	0.5 s
Warm Up Time to 60% Light (Nom)	0.5 s
Power Factor (Nom)	0.8
Voltage (Nom)	ac electronic 12 V
Temperature	
T-Case Maximum (Nom)	92 °C
Controls and Dimming	
Dimmable	Yes
Approval and Application	
Suitable For Accent Lighting	Yes
Product Data	
XUCDM.COPY.Product.Title	6.5MR16/LED/F25/930/D/EC/12V T20 10/1FB
EAN/UPC - Product	046677479145
Order code	479147
Numerator - Quantity Per Pack	1
Numerator - Packs per outer box	10

LED MR16

Material Nr. (12NC)	929001854404
Net Weight (Piece)	0.056 kg

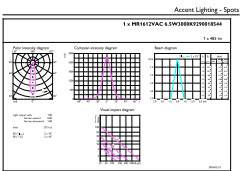
Dimensional drawing



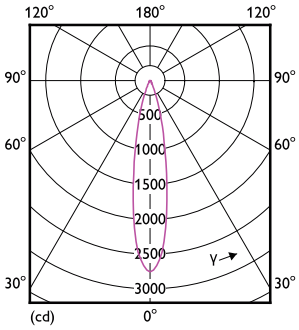
MR16 12V 6.3-42W 25D 3000K GU5.3 D 25khr

Product	D	C
6.5MR16/LED/F25/930/D/EC/12V T20 10/1FB	50.5 mm	46 mm

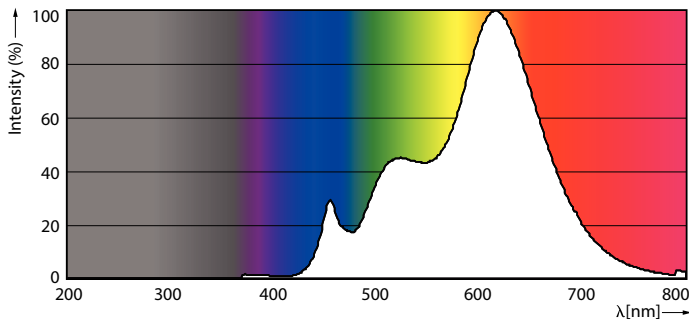
Photometric data



OSRAM PHOTOMETRIC DATA



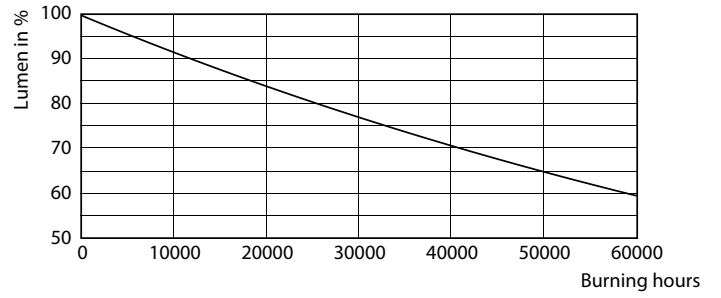
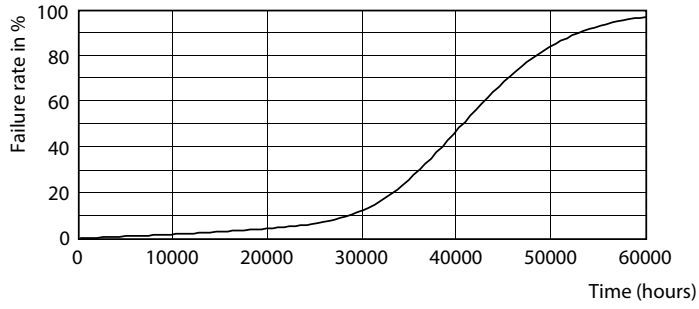
LEDspot 6.5W GU5.3 MR16 927 25D DIM



LEDspot 6.5W GU5.3 MR16 930 25-35D DIM

LED MR16

Lifetime



LEDspot 6.5W GU5.3 MR16 927 25D DIM

LEDspot 6.5W GU5.3 MR16 927 25D DIM

