



LED MR16

6.5MR16/LED/F25/927/D/EC/12V T20 10/1FB

Philips LED MR-16 lamps with single optic technology provide the look and color quality of traditional halogens while using a fraction of the energy. A perfect fit for spot lighting, they are compatible with most existing fixtures with MR16 GU5.3 holders and are designed as a retrofit replacement for halogen or incandescent spots.

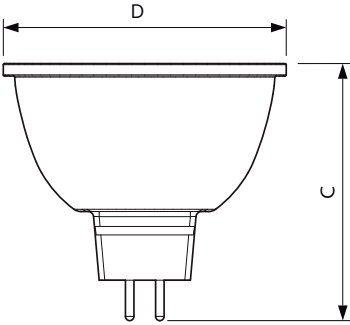
Product data

General Information		Lamp Current (Nom)	
Base	GU5.3 [GU5.3]	Lamp Current (Nom)	700 mA
EU RoHS compliant	Yes	Wattage Equivalent	42 W
Nominal Lifetime (Nom)	25000 h	Starting Time (Nom)	0.5 s
Switching Cycle	50000X	Warm Up Time to 60% Light (Nom)	0.5 s
Technical Type	6.5-42W	Power Factor (Nom)	0.8
		Voltage (Nom)	ac electronic 12 V
Light Technical		Temperature	
Color Code	927	T-Case Maximum (Nom)	92 °C
Beam Angle (Nom)	25 °		
Initial lumen (Nom)	485 lm	Controls and Dimming	
Luminous Flux (Rated) (Nom)	485 lm	Dimmable	Yes
Luminous Intensity (Nom)	1960 cd		
Color Designation	Warm White (WW)	Approval and Application	
Correlated Color Temperature (Nom)	2700 K	Suitable For Accent Lighting	Yes
Luminous Efficacy (rated) (Nom)	74.00 lm/W		
Color Consistency	<3	Product Data	
Color Rendering Index (Nom)	91	XUCDM.COPY.Product.Title	6.5MR16/LED/F25/927/D/EC/12V T20 10/1FB
LLMF At End Of Nominal Lifetime (Nom)	70 %	EAN/UPC - Product	046677479138
		Order code	479139
Operating and Electrical		Numerator - Quantity Per Pack	1
Power (Rated) (Nom)	6.5 W	Numerator - Packs per outer box	10

LED MR16

Material Nr. (12NC)	929001854304
Net Weight (Piece)	0.056 kg

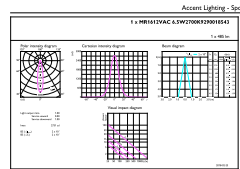
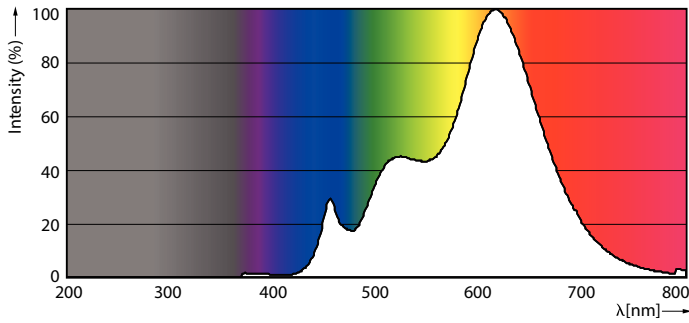
Dimensional drawing



MR16 12V 6.3-42W 25D 2700K GU5.3 D 25khr

Product	D	C
6.5MR16/LED/F25/927/D/EC/12V T20 10/1FB	50.5 mm	46 mm

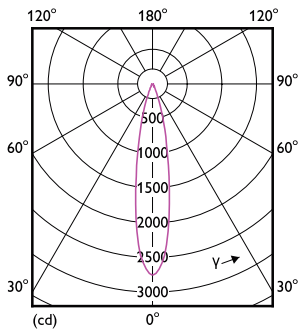
Photometric data



GU5.3 Photometrics 1.3 Philips Lighting B.V. Page 1/1

LEDspot 6.5W GU5.3 MR16 927 25-35D DIM

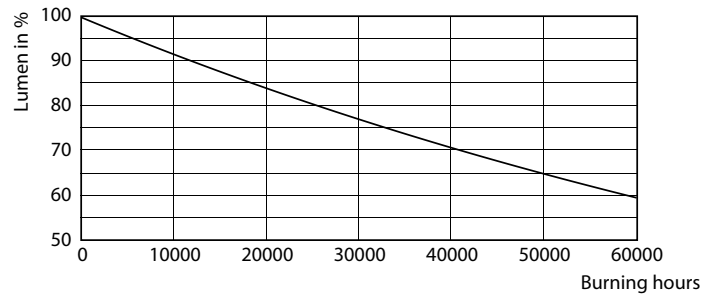
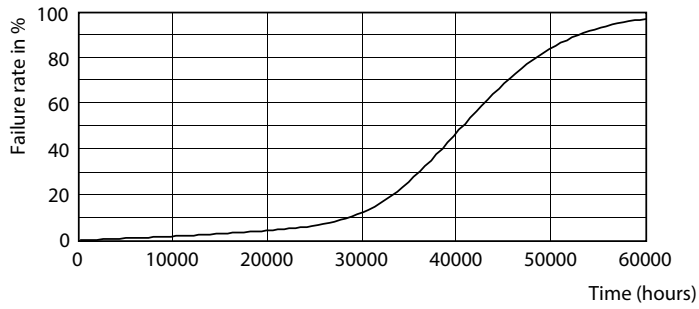
LEDspot 6.5W GU5.3 MR16 927 25D DIM



LEDspot 6.5W GU5.3 MR16 927 25D DIM

LED MR16

Lifetime



LEDspot 6.5W GU5.3 MR16 927 25D DIM

LEDspot 6.5W GU5.3 MR16 927 25D DIM

