



LED MR16

7.8MR16/PER/940/F35/Dim/EC/12V 10/1FB

Philips LED MR-16 lamps with single optic technology provide the look and color quality of traditional halogens while using a fraction of the energy. A perfect fit for spot lighting, they are compatible with most existing fixtures with MR16 GU5.3 holders and are designed as a retrofit replacement for halogen or incandescent spots.

Product data

General Information	
Base	GU5.3 [GU5.3]
EU RoHS compliant	Yes
Nominal Lifetime (Nom)	25000 h
Switching Cycle	50000X
Technical Type	7.8-50W
Light Technical	
Color Code	940 [CCT of 4000K]
Beam Angle (Nom)	35 °
Initial lumen (Nom)	540 lm
Luminous Intensity (Nom)	1450 cd
Color Designation	Cool White (CW)
Correlated Color Temperature (Nom)	4000 K
Luminous Efficacy (rated) (Nom)	69.00 lm/W
Color Consistency	<3
Color Rendering Index (Nom)	95
LLMF At End Of Nominal Lifetime (Nom)	70 %
Operating and Electrical	
Input Frequency	- Hz
Power (Rated) (Nom)	7.8 W

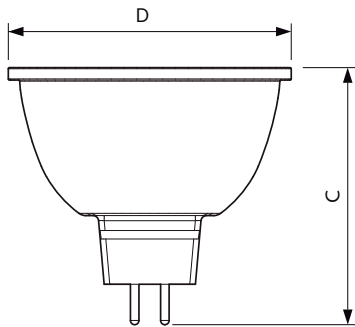
Lamp Current (Nom)	880 mA
Wattage Equivalent	50 W
Starting Time (Nom)	0.5 s
Warm Up Time to 60% Light (Nom)	0.5 s
Power Factor (Nom)	0.7
Voltage (Nom)	ac electronic 12 V
Temperature	
T-Case Maximum (Nom)	105 °C
Controls and Dimming	
Dimmable	Yes
Approval and Application	
Energy Efficiency Label (EEL)	Not applicable
Suitable For Accent Lighting	Yes
Energy Consumption kWh/1000 h	- kWh
Product Data	
Order product name	7.8MR16/PER/940/F35/Dim/EC/12V 10/1FB
EAN/UPC - Product	046677470210
Order code	470211

LED MR16

Numerator - Quantity Per Pack	1
Numerator - Packs per outer box	10
Material Nr. (12NC)	929001873304

Net Weight (Piece)	0.060 kg
--------------------	----------

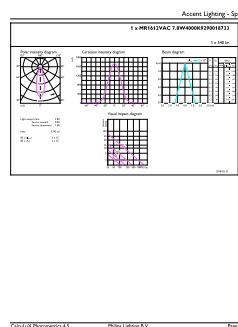
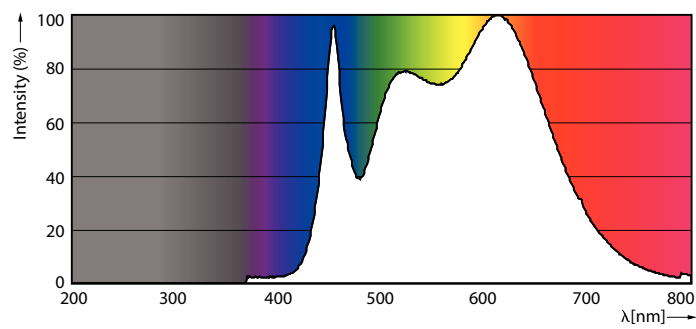
Dimensional drawing



MR16 12V 7.5-50W 490lm 35D 4000K GU5.3 D

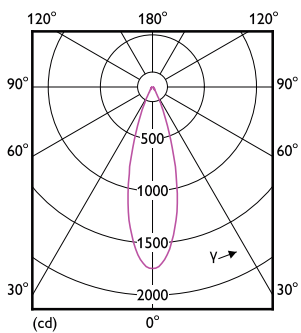
Product	D	C
7.8MR16/PER/940/F35/Dim/EC/12V 10/1FB	51 mm	46 mm

Photometric data



LEDspot 7.8W GU5.3 MR16 940 10D DIM

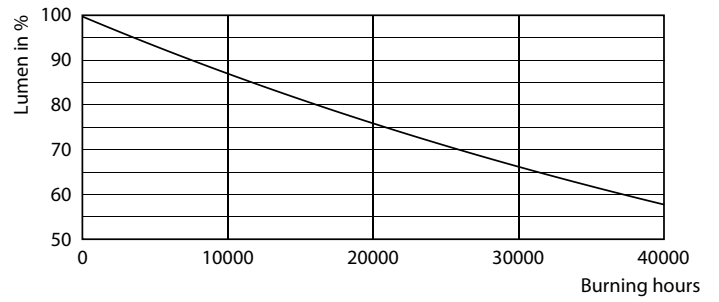
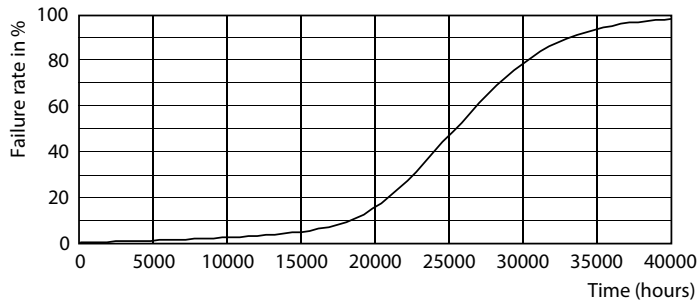
LEDspot 7.8W GU5.3 MR16 940 35D DIM



LEDspot 7.8W GU5.3 MR16 940 35D DIM

LED MR16

Lifetime



LEDspot 7.8W GU5.3 MR16 927 10D DIM

LEDspot 7.8W GU5.3 MR16 927 10D DIM

