



LED MR16

7.8MR16/PER/940/F25/Dim/EC/12V 10/1FB

Philips LED MR-16 lamps with single optic technology provide the look and color quality of traditional halogens while using a fraction of the energy. A perfect fit for spot lighting, they are compatible with most existing fixtures with MR16 GU5.3 holders and are designed as a retrofit replacement for halogen or incandescent spots.

Product data

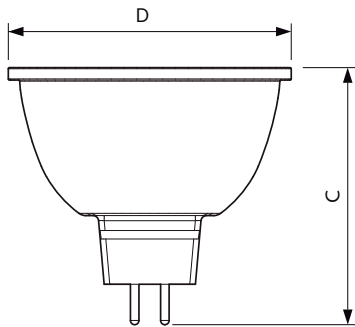
General Information		Lamp Current (Nom)	
Base	GU5.3 [GU5.3]	Lamp Current (Nom)	880 mA
EU RoHS compliant	Yes	Wattage Equivalent	50 W
Nominal Lifetime (Nom)	25000 h	Starting Time (Nom)	0.5 s
Switching Cycle	50000X	Warm Up Time to 60% Light (Nom)	0.5 s
Technical Type	7.8-50W	Power Factor (Nom)	0.7
		Voltage (Nom)	ac electronic 12 V
Light Technical		Temperature	
Color Code	940 [CCT of 4000K]	T-Case Maximum (Nom)	105 °C
Beam Angle (Nom)	25 °		
Initial lumen (Nom)	540 lm	Controls and Dimming	
Luminous Intensity (Nom)	2600 cd	Dimmable	Yes
Color Designation	Cool White (CW)		
Correlated Color Temperature (Nom)	4000 K	Approval and Application	
Luminous Efficacy (rated) (Nom)	69.00 lm/W	Energy Efficiency Label (EEL)	Not applicable
Color Consistency	<3	Suitable For Accent Lighting	Yes
Color Rendering Index (Nom)	95	Energy Consumption kWh/1000 h	- kWh
LLMF At End Of Nominal Lifetime (Nom)	70 %		
Operating and Electrical		Product Data	
Input Frequency	- Hz	Order product name	7.8MR16/PER/940/F25/Dim/EC/12V 10/1FB
Power (Rated) (Nom)	7.8 W	EAN/UPC - Product	046677470180
		Order code	470187

LED MR16

Numerator - Quantity Per Pack	1
Numerator - Packs per outer box	10
Material Nr. (12NC)	929001873004

Net Weight (Piece)	0.056 kg
--------------------	----------

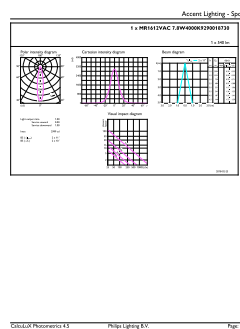
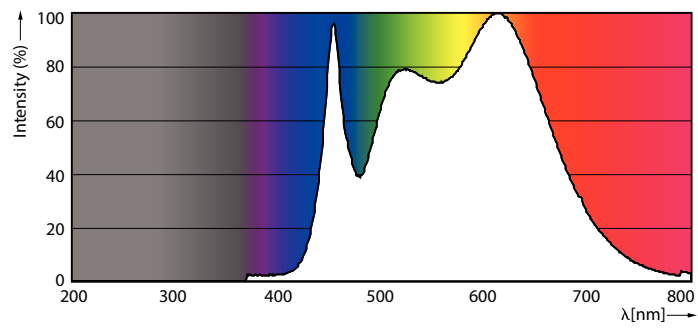
Dimensional drawing



MR16 12V 7.5-50W 490lm 25D 4000K GU5.3 D

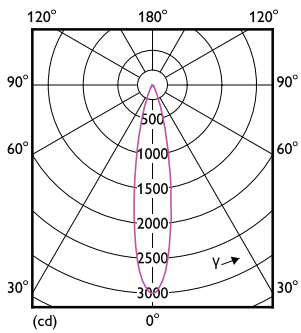
Product	D	C
7.8MR16/PER/940/F25/Dim/EC/12V 10/1FB	51 mm	46 mm

Photometric data



LEDspot 7.8W GU5.3 MR16 940 10D DIM

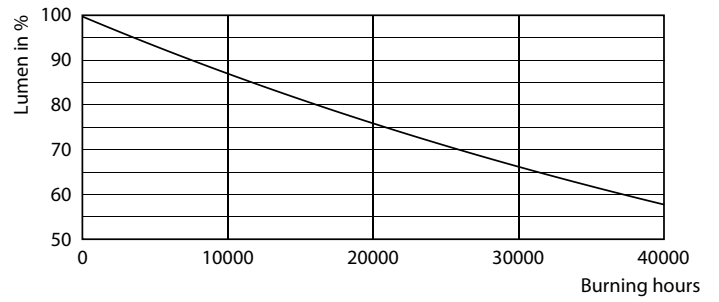
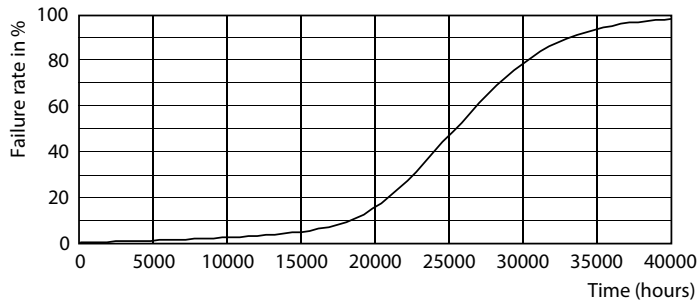
LEDspot 7.8W GU5.3 MR16 940 25D DIM



LEDspot 7.8W GU5.3 MR16 940 25D DIM

LED MR16

Lifetime



LEDspot 7.8W GU5.3 MR16 927 10D DIM

LEDspot 7.8W GU5.3 MR16 927 10D DIM

