



# LED MR16

## 7.8MR16/PER/930/S10/Dim/EC/12V 10/1FB

Philips LED MR-16 lamps with single optic technology provide the look and color quality of traditional halogens while using a fraction of the energy. A perfect fit for spot lighting, they are compatible with most existing fixtures with MR16 GU5.3 holders and are designed as a retrofit replacement for halogen or incandescent spots.

### Product data

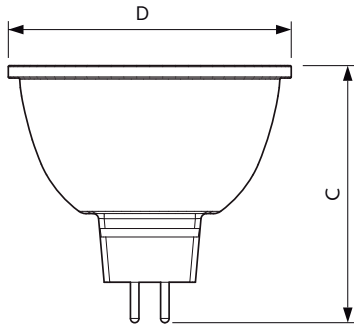
General Information		Temperature	
Base	GU5.3 [ GU5.3]	Lamp Current (Nom)	880 mA
EU RoHS compliant	Yes	Wattage Equivalent	35 W
Nominal Lifetime (Nom)	25000 h	Starting Time (Nom)	0.5 s
Switching Cycle	50000X	Warm Up Time to 60% Light (Nom)	0.5 s
Technical Type	7.8-35W	Power Factor (Nom)	0.7
Light Technical		Voltage (Nom)	ac electronic 12 V
Color Code	930 [ CCT of 3000K]	Temperature	
Beam Angle (Nom)	10 °	T-Case Maximum (Nom)	105 °C
Initial lumen (Nom)	480 lm	Controls and Dimming	
Luminous Intensity (Nom)	5300 cd	Dimmable	Yes
Color Designation	White (WH)	Approval and Application	
Correlated Color Temperature (Nom)	3000 K	Energy Efficiency Label (EEL)	Not applicable
Luminous Efficacy (rated) (Nom)	61.00 lm/W	Suitable For Accent Lighting	Yes
Color Consistency	<3	Energy Consumption kWh/1000 h	- kWh
Color Rendering Index (Nom)	95	Product Data	
LLMF At End Of Nominal Lifetime (Nom)	70 %	Order product name	7.8MR16/PER/930/S10/Dim/EC/12V 10/1FB
Operating and Electrical		EAN/UPC - Product	046677470142
Input Frequency	- Hz	Order code	470146
Power (Rated) (Nom)	7.8 W		

# LED MR16

Numerator - Quantity Per Pack	1
Numerator - Packs per outer box	10
Material Nr. (12NC)	929001872604

Net Weight (Piece)	0.056 kg
--------------------	----------

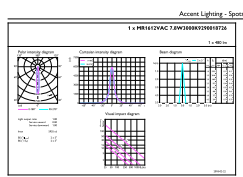
## Dimensional drawing



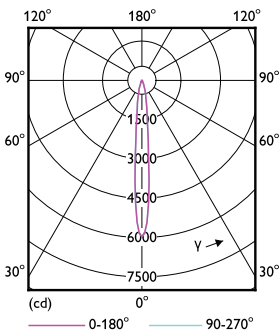
MR16 12V 7.5-35W 480lm 10D 3000K GU5.3 D

Product	D	C
7.8MR16/PER/930/S10/Dim/EC/12V 10/1FB	51 mm	46 mm

## Photometric data

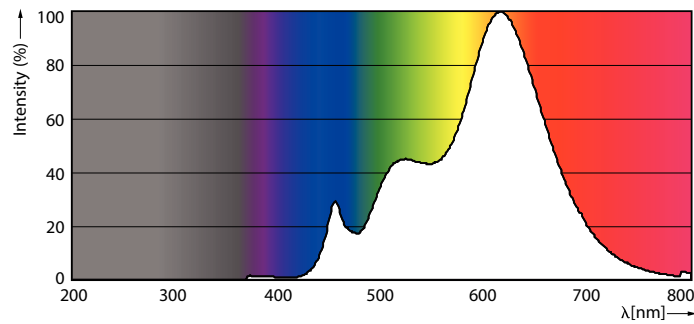


OSRAM Photometric 43 Philips Lighting BV Page 1/1



LEDspot 7.8W GU5.3 MR16 930 10D DIM

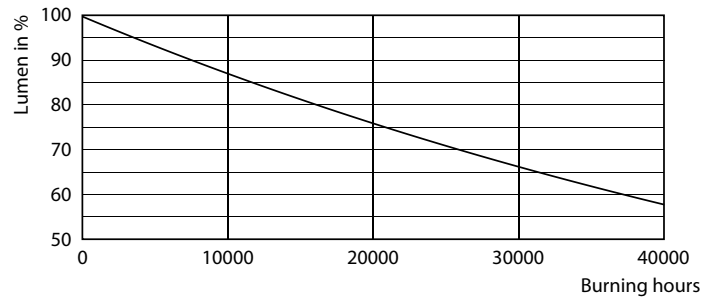
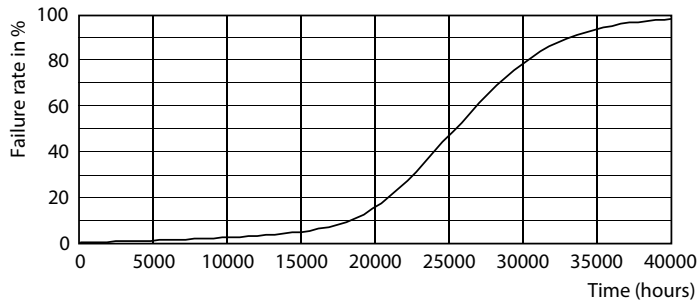
LEDspot 7.8W GU5.3 MR16 927 10D DIM



LEDspot 7.8W GU5.3 MR16 930 10D DIM

# LED MR16

## Lifetime



LEDspot 7.8W GU5.3 MR16 927 10D DIM

LEDspot 7.8W GU5.3 MR16 927 10D DIM

