



MR16/GU10/PAR16 LED

7.8MR16/PER/927/S10/Dim/EC/12V 10/1FB

Philips MR16 Dimmable LED Lamps provide ambient level light to illuminate hard to maintain applications. Increased transformer compatibility allows for operation on a wider range of transformers. Available in dimmable and non-dimmable versions, these lamps are ideal for track and open recessed fixtures in retail, hospitality and residential spaces.

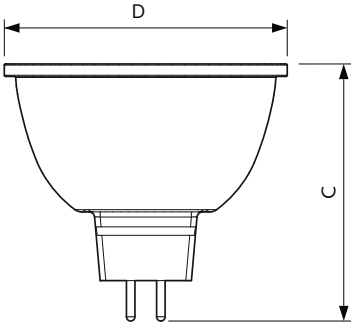
Product data

| General Information | |
|---------------------------------------|-----------------|
| Cap-Base | GU5.3 [GU5.3] |
| Nominal Lifetime (Nom) | 25000 h |
| Switching Cycle | 50000X |
| Technical Type | 7.8-35W |
| Light Technical | |
| Color Code | 927 |
| Beam Angle (Nom) | 10 ° |
| Initial lumen (Nom) | 480 lm |
| Luminous Flux (Rated) (Nom) | 480 lm |
| Luminous Intensity (Nom) | 5300 cd |
| Color Designation | Warm White (WW) |
| Rated Beam Angle | 10 ° |
| Correlated Color Temperature (Nom) | 2700 K |
| Luminous Efficacy (rated) (Nom) | 61.00 lm/W |
| Color Consistency | <3 |
| Color Rendering Index (Nom) | 95 |
| LLMF At End Of Nominal Lifetime (Nom) | 70 % |
| Operating and Electrical | |
| Power (Rated) (Nom) | 7.8 W |
| Lamp Current (Nom) | 880 mA |

| Wattage Equivalent | 35 W |
|---------------------------------|---------------------------------------|
| Starting Time (Nom) | 0.5 s |
| Warm Up Time to 60% Light (Nom) | 0.5 s |
| Power Factor (Nom) | 0.7 |
| Voltage (Nom) | ac electronic 12 V |
| Temperature | |
| T-Case Maximum (Nom) | 105 °C |
| Controls and Dimming | |
| Dimmable | Yes |
| Approval and Application | |
| Suitable For Accent Lighting | Yes |
| Product Data | |
| Order product name | 7.8MR16/PER/927/S10/Dim/EC/12V 10/1FB |
| EAN/UPC - Product | 046677470135 |
| Order code | 470138 |
| Numerator - Quantity Per Pack | 1 |
| Numerator - Packs per outer box | 10 |
| Material Nr. (12NC) | 929001872504 |
| Net Weight (Piece) | 0.056 kg |

MR16/GU10/PAR16 LED

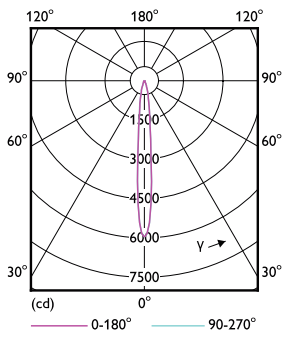
Dimensional drawing



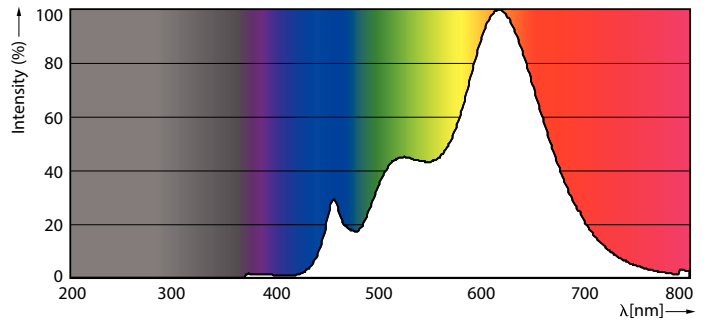
MR16 12V 7.5-35W 465lm 10D 2700K GU5.3 D

| Product | D | C |
|---------------------------------------|-------|-------|
| 7.8MR16/PER/927/S10/Dim/EC/12V 10/1FB | 51 mm | 46 mm |

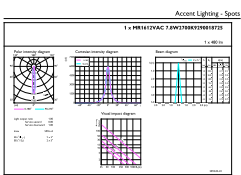
Photometric data



LEDspot 7.8W GU5.3 MR16 927 10D DIM



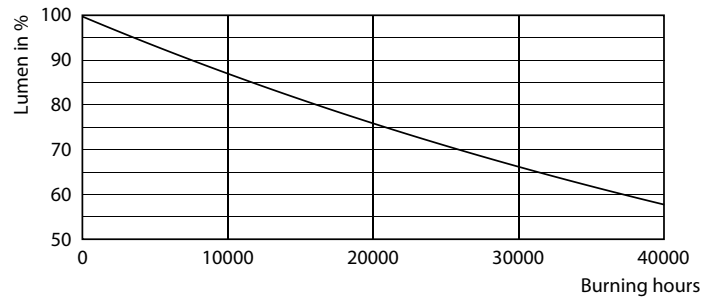
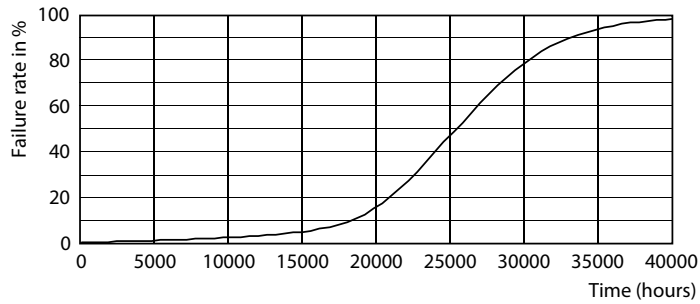
LEDspot 7.8W GU5.3 MR16 927 10D DIM



LEDspot 7.8W GU5.3 MR16 927 10D DIM

MR16/GU10/PAR16 LED

Lifetime



LEDspot 7.8W GU5.3 MR16 927 10D DIM

LEDspot 7.8W GU5.3 MR16 927 10D DIM

