

PHILIPS

Lighting



PAR30/PAR20 LED

12PAR30S/AMB/F25/827/DIM ULW

Philips PAR30 and PAR20 LED Single Optic Lamps provide superior lighting aesthetics and optimal thermal efficiency in a sleek, lightweight design.

Product data

General Information

Cap-Base	E26 [Single Contact Medium Screw]
Nominal Lifetime (Nom)	25000 h
Switching Cycle	50000X
Technical Type	12-75W

Light Technical

Color Code	827 [CCT of 2700K]
Beam Angle (Nom)	25 °
Initial lumen (Nom)	850 lm
Luminous Flux (Rated) (Nom)	850 lm
Luminous Intensity (Nom)	3300 cd
Color Designation	Warm White (WW)
Rated Beam Angle	25 °
Correlated Color Temperature (Nom)	2700 K
Luminous Efficacy (rated) (Nom)	70.83 lm/W
Color Consistency	<6
Color Rendering Index (Nom)	80
LLMF At End Of Nominal Lifetime (Nom)	70 %

Operating and Electrical

Input Frequency	50 to 60 Hz
Power (Rated) (Nom)	12 W
Lamp Current (Nom)	110 mA

Wattage Equivalent	75 W
Starting Time (Nom)	0.5 s
Warm Up Time To 60% Light (Nom)	0.5 s
Power Factor (Nom)	0.9
Voltage (Nom)	120 V

Temperature

T-Case Maximum (Nom)	85 °C
----------------------	-------

Controls and Dimming

Dimmable	Yes
----------	-----

Approval and Application

Energy Saving Product	Yes
Suitable For Accent Lighting	Yes
Approval Marks	Energy Star

Product Data

Order product name	12PAR30S/AMB/F25/827/DIM ULW
EAN/UPC - Product	046677467876
Order code	467878
Numerator - Quantity Per Pack	1
Numerator - Packs per outer box	6
Material Nr. (12NC)	929001294804

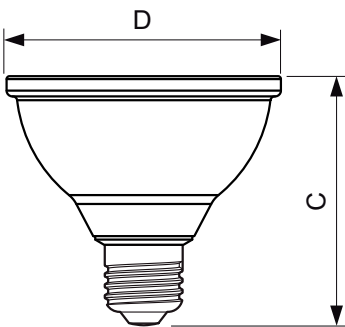
PAR30/PAR20 LED

Net Weight (Piece)	0.230 kg
--------------------	----------

Warnings and Safety

- Suitable for use in damp locations.
- Not for use in totally enclosed luminaires.
- Before replacing, turn off power and let lamp cool to avoid electrical shock or burn.
- CAUTION: Risk of electric shock— do not use where directly exposed to water
- NOTES: This device complies with Part 18 of the FCC rule. This product may cause interference with other devices. If interference occurs, change the location of the products involved. This RFLD device complies with Canadian ICES-005.

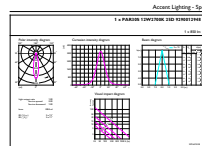
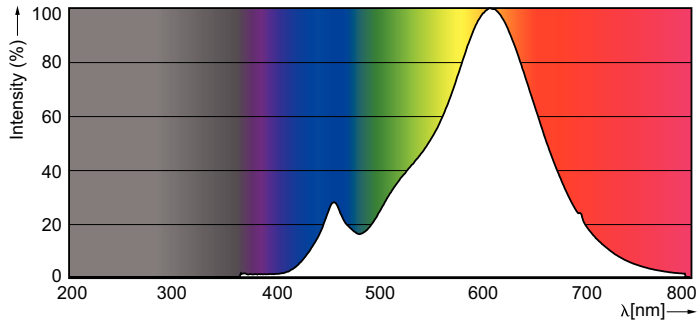
Dimensional drawing



12PAR30S/AMB/F25/827/DIM ULW

Product	D	C
12PAR30S/AMB/F25/827/DIM ULW	95 mm	95 mm

Photometric data



General Parameters 11 Photometric Data Page 17

PAR30/PAR20 LED

