



PAR30S LED Single Optic Lamps with AirFlux Technology

12PAR30S/F25 3000 CW SO 6/1

Philips PAR30S LED Single Optic Lamps with AirFlux Technology provide superior lighting aesthetics and optimal thermal efficiency in a sleek, lightweight design.

Product data

• General Information

Cap-Base	Medium [Medium]
Switching Cycle	20000X
Technical Type	12.5-75W

• Light Technical

Color Code	WH
Beam Angle (Nom)	25 °
Light Distribution	25D [Medium beam]
Initial lumen (Nom)	780 lm
Luminous Flux (Rated) (Nom)	780 lm
Luminous Intensity (Nom)	3500 cd
Color Designation	White (WH)
Correlated Color Temperature (Nom)	3000 K
Luminous Efficacy (rated) (Nom)	62.40 lm/W
Color Rendering Index (Nom)	90

• Operating and Electrical

Input Frequency	60 Hz
-----------------	-------

Power (Rated) (Nom)	12.5 W
Lamp Current (Nom)	115 mA
Wattage Equivalent	75 W
Starting Time (Nom)	0.5 s
Power Factor (Nom)	0.9
Voltage (Nom)	120 V

• Controls and Dimming

Dimmable	No
----------	----

• Product Data

Order product name	120V PAR30S 12.5W 25D 3000K 780 CW SO
EAN/UPC - Product	046677434946
Order code	434944
Numerator - Quantity Per Pack	1
Numerator - Packs per outer box	6
Material Nr. (12NC)	929001110204
Net Weight (Piece)	0.310 kg

Warnings and Safety

- Suitable for use in damp locations.
- Not for use in totally enclosed luminaires.

- Before replacing, turn off power and let lamp cool to avoid electrical shock or burn.
- CAUTION: Risk of electric shock— do not use where directly exposed to water

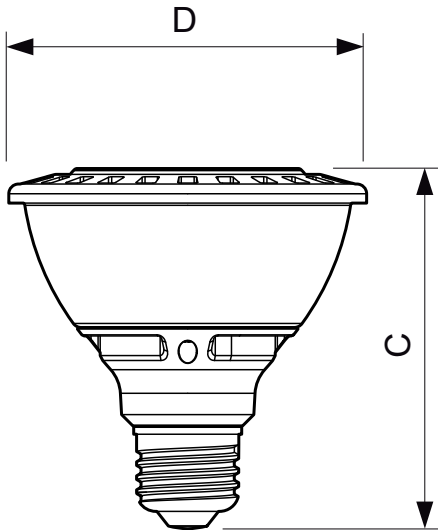
PHILIPS

PAR30S LED Single Optic Lamps with AirFlux Technology

• NOTES: This device complies with Part 18 of the FCC rule. This product may cause interference with other devices. If interference

occurs, change the location of the products involved. This RFLD device complies with Canadian ICES-005.

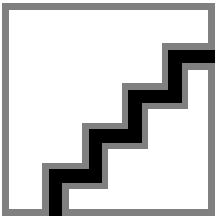
Dimensional drawing



12 W, 12.5 W E26 PAR30S dimmable

LED 12.5W E26 3000K 120V PAR30S 25D

Product	D	C
120V PAR30S 12.5W 25D 3000K 780 CW SO	92 mm	93 mm



© 2015 Koninklijke Philips N.V. (Royal Philips)
All rights reserved.

Specifications are subject to change without notice. Trademarks are the property of Koninklijke Philips N.V. (Royal Philips) or their respective owners.

www.philips.com/lighting

2015, November 29
data subject to change