

Type
Project
Catalog No.
Lamp/Wattage

NTH-109 (Line Voltage Track)
Flatback Universal Lamp Holder.
 Lamp: 50W R20/PAR20 / 75W BR30/PAR30
 250W PAR38 / 300W BR40 (Not Included)

PRODUCT DESCRIPTION

Line voltage universal lamp holder with adjustable angle. Smooth, cylindrical design with softened edges on rear of housing for aesthetic, modern appearance. Lateral and vertical swivel enable user to aim the light source to any desired location. Adjustment knob on housing side allows user to extend or retract the neck of the lamp source.

FEATURES

- Deep drawn solid flat back steel housing for high strength and rigidit.
- High heat resistant teflon coated wiring lead.
- Adjustable angle for custom aiming.
- High strength stainless steel electrical contacts.
- One or two circuit track capable.

CONSTRUCTION

Housing
 0.025" Deep drawn steel construction with softened edges for clean, low profile appearance.

Housing
 Teflon coated wire lead connects socket and housing to electrical contact head. Teflon coating is durable and resists heat degradation from lamp and housing radiation.

Swivel Arm
 0.080" Rigid steel arm connects fixture housing to electrical contact head. Plastic angle tightening knob maintains clean, decorative appearance of the fixture.

ELECTRICAL SYSTEM

Socket
 Porcelain jacketed aluminum screw thread medium-base socket

Lamp
 50W R20/PAR20 Maximum (not included)
 75W BR30/PAR30 Maximum (not included)
 250W PAR38 Maximum (not included)
 300W BR40 Maximum (not included)

One/Two Circuit Conversion
 Positive contact (opposite neutral and ground contacts) is preset to "down" position at factory but may be raised to the higher position to install onto the second circuit of Nora Lighting NT- 2300 series two-circuit track.

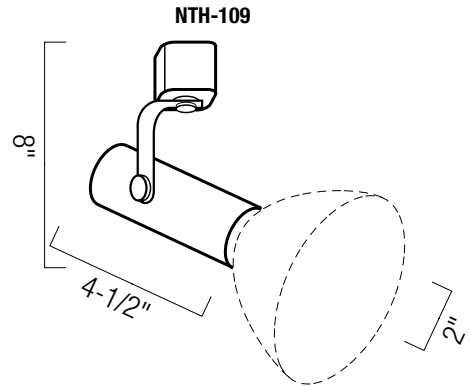
FINISHES

Black, Natural Metal, or White heat rated baked enamel paint. Custom painting or anodizing for special applications are also available. Custom finishes will require lead times that vary depending on vendor schedule. Please consult factory for quotation, and provide either a Dunn Edwards number or color chip for exact matching.

LABELS AND LISTINGS

UL Listed.

DIMENSIONS



Diameter: 2"
 Length : 4-1/2"
 Max. Extension: 8"



Flatback Universal Lamp Holder

Catalog No.	Min. - Max Wattage	Finishes	Style
NTH-109	50W-300W	B = Black	Blank = H-Style
		N = Natural Metal	J = J-Style
		W = White	L = L-Style

Create a complete track head number: Example: NTH - 1 09B