

CLR8

8" Commercial Recessed LED Downlight

Product Description

Designed for both new construction and retrofit applications, the CLR Series can be installed directly into drywall, a ceiling grid or an existing 8" CFL mounting frame with its spring loaded retention tabs and a J-box cable connection. Offering a full range of dimming from 0-10 volts, the base fixture is white but has available trims in nickel, aged copper and black making it adaptable to most any environment. The versatility of this light source is perfect for commercial applications, such as educational and governmental facilities, retail and grocery lighting, offices or hospitality.

Construction

- Cast aluminum heat sink
- Matte white plastic trim
- Certified for direct contact with insulation

Optical System

- Polystyrene diffuse creates uniform light distribution that reduces glare without sacrificing lumen output

Electrical

- Universal input 120-277VAC
- Driver delivers full-range dimming from 0-10VDC
- Silent and flicker-free operation
- Tight LED binning ensures color uniformity
- Operating temperature of 0° to 120°F (-18°C to 49°C)
- Meets FCC Part 15, Subpart B, Class A standards for conducted and radiated emissions
- TM-21 Reported L70(10k) life >54,000 hours
- TM-21 Calculated L70(10k) life = 67,000 hours
- LM-79, LM-80 testing performed in accordance with IESNA standards

Finish

- Matte white, smooth plastic trim
- Color trims available in Aged Copper, Black and Brushed Nickel

Installation

- Easy installation into most 8" incandescent or fluorescent frames
- Adjustable, spring loaded retention tabs ensure secure fixture retention
- Extension ring and clips available to cover 10" opening
- Housing or frame not needed for new construction installation.
- Metal rough-in templates available
- Suitable for wet locations
- For installations where power surge may be possible, NICOR recommends installing additional surge protection at the fixture or electrical distribution panel

Warranty

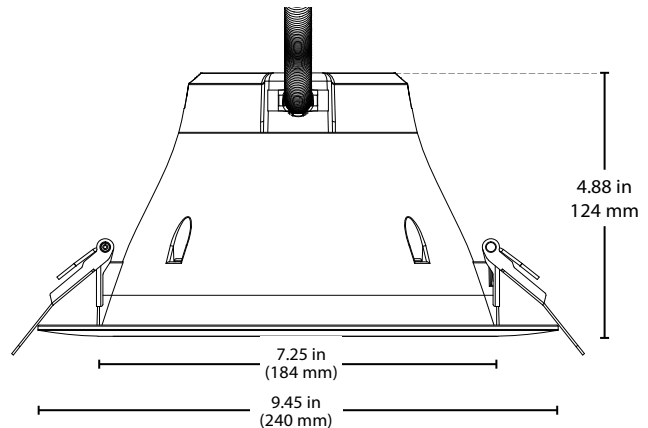
- 5-year limited system warranty standard
- Warranty does not cover product failure due to an overvoltage event (power surge)

Project

Catalog

Type

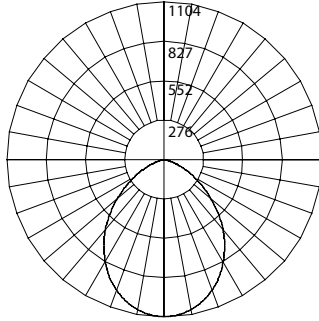
Date



Photometric Data

CLR8 2700K

Input Voltage (VAC)	120-277V
System Level Power (W)	25.7
Delivered Lumens (Lm)	2229
System Efficacy (Lm/W)	86.8
Correlated Color Temp (K)	2694
Color Rendering Index (CRI)	83
Beam Angle	89.2°
Spacing Criteria	1.14



Intensity Summary (Candle Power)

Angle	Mean CP
0	1104
5	1096
15	1033
25	913
35	743
45	543
55	335
65	162
75	51
85	12
75	0

CCT Data Multiplier

CLR8-10-UNV-30K-WH	1.029
CLR8-10-UNV-35K-WH	1.063
CLR8-10-UNV-40K-WH	1.125
CLR8-10-UNV-50K-WH	1.144

Cone of Light Tabulation

Mounted height (Inches)	Footcandles Beam Center	Diameter (feet)
4	69.0	7.9
6	30.7	11.8
8	17.2	15.8
10	11.0	19.7
12	7.7	23.7
14	5.6	27.6
16	4.3	31.6

Zonal Lumen Summary

Zone	Lumens	% of Luminaire
0-30	814	36.5%
0-40	1278	57.3%
0-60	1996	89.5%
0-90	2229	100.0%
90-180	0	0.0%
0-180	2229	100.0%

Performance Data

Model Number	Lumens	Watts	Lumens/Watt
CLR8-10-UNV-27K-WH	2229	25.7	86.8
CLR8-10-UNV-30K-WH	2294	25.7	89.3
CLR8-10-UNV-35K-WH	2368	25.7	92.2
CLR8-10-UNV-40K-WH	2508	25.7	97.6
CLR8-10-UNV-50K-WH	2550	25.7	99.3

Recommended Dimmers*

- Lutron NTSTV-DV-WH
- Lutron DVSTV
- Cooper SF10P
- Legrand RH4FBL3PW

*Not a complete list. Check compatibility before installation.

Ordering Information

Example: CLR8-10-UNV-30-WH

Series	Version	Voltage	CCT's	Color
CLR8	10 (Version 1.0)	UNV (120-277V)	27 (2700 K)	WH (White)
			30 (3000 K)	
			35 (3500 K)	
			40 (4000 K)	
			50 (5000 K)	

Specifications and dimensions subject to change without notice.

Accessories

Accessories sold separately

Black 8" Trim	CLR8-TR-BK
Nickel 8" Trim	CLR8-TR-NK
Oil-rubbed Bronze 8" Trim	CLR8-TR-OB
Extension Ring	CLR8-10-EXT
Extension Ring and Clips for 10" Frame	CLR8-10-EXT-CLIPS
Rough in Template	ROUGHIN-TEMPLATE-8

This device complies with part 15 of the FCC Rules. Operation is subject to the following two conditions: (1) This device may not cause harmful interference, and (2) this device must accept any interference received, including interference that may cause undesired operation.

NOTE: This equipment has been tested and found to comply with the limits for a Class A digital device, pursuant to part 15 of the FCC Rules. These limits are designed to provide reasonable protection against harmful interference when the equipment is operated in a commercial environment. This equipment generates, uses, and can radiate radio frequency energy and, if not installed and used in accordance with the instruction manual, may cause harmful interference to radio communications. Operation of this equipment in a residential area is likely to cause harmful interference in which case the user will be required to correct the interference at his own expense.