

## DESCRIPTION

SNLED Lensed is a narrow LED lensed striplight series. This high quality luminaire is dedicated to the latest solid state lighting and electronic driver technology for optimal performance and energy efficiency. This Lensed product is available with three different lens types.

The small size of the SNLED makes it an ideal choice for size restricted architectural applications. The SNLED Series can be the illumination solution in commercial, industrial, retail and residential applications. Fixtures can be used in storage/utility areas, coves, display cases, shops, task and general area lighting.

## SPECIFICATION FEATURES

### Construction

Channel is die formed cold rolled steel with numerous KOs for ease of installation. Groove for Tong Hanger. End plate quickly converts to snap-in channel connector for continuous row alignment. Channel/wireway cover secured with sheet metal screws.

### Controls

Equipped standard with a 0-10V continuous dimming driver that works with any standard 0-10V control/dimmer. Dimming range is 10% to 100%; varies by control device. Combine with energy-saving products like occupancy sensors, day lighting controls, and lighting relay panels to maximize energy savings. For motion control, reference options for both end and middle of the row applications.

### Electrical

Long-Life LED system coupled with electronic (120-277V) driver to deliver optimal lighting performance. LED's available in 3000K, 3500K, 4000K, or 5000K with a CRI ≥ 85. Other color temperatures are available. Projected life is 60,000 + hours at 70% lumen output based on TM21. This driver is 0-10V dimming standard.

### Emergency Battery Pack Option

Optional 120v-277v integral emergency battery pack is

available in 7-watts or 14-watts to meet critical life-safety lighting requirements. The 90-minute batteries provide constant power to the LED system, ensuring code-compliance. A test switch/indicator button can be tested safely from the ground using a laser pointer, while the patented EZ Key prevents accidental discharge of the battery during construction. See ordering information for details.

### Finish

Multistage iron phosphate pretreatment ensures maximum bonding and rust inhibitor. High reflective paint after fabrication, baked white enamel finish is standard.

### Channel/Wireway Cover

Die formed heavy gauge steel. Tight fit for ease of maintenance.

### Shielding

Offers three different lensed optical distributions. (LC) Clear with linear optical ribs. (LN) Semi-frost for narrow distribution. (LW) Full frost for wide distribution.

### Installation

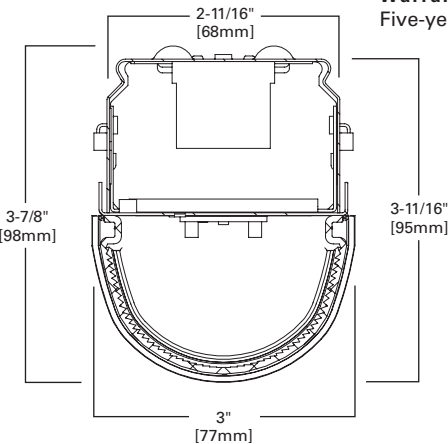
Fixture may be surface, pendant, or stem mounted. See accessories below in ordering information.

### Compliance

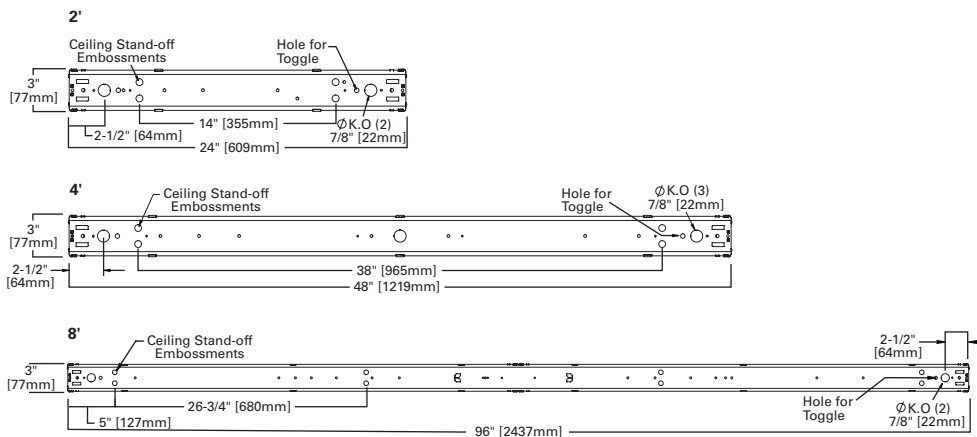
Components are UL recognized. Indoor luminaires are cULus listed for 40° C ambient environments, RoHS compliant, damp location listed, and comply with IESNA LM-79. LEDs comply with LM-80 standards. DesignLights Consortium® Qualified. Refer to www.designlights.org Qualified Products List under Family Models for details.

### Warranty

Five-year warranty.



## MOUNTING DATA



Catalog #		Type
Project		
Comments		Date
Prepared by		



## SNLED LENSED LED

Lensed LED Striplight



## LINEAR DISCONNECT

Safe and convenient means of disconnecting power



## WATTAGE

SNLED Type	Stock* / MTO	Lumen Type	Length	Catalog Logic	Nominal Lumens	Wattage	lm/W
Clear Lens (LC)	MTO	Standard	2 ft.	2SNLED-LD4-18SL-LC-UNV-L8XX-CD1-U	1907	17	105
Clear Lens (LC)	MTO	Standard	2 ft.	2SNLED-LD4-22SL-LC-UNV-L8XX-CD1-U	2325	22	101
Clear Lens (LC)	MTO	Standard	2 ft.	2SNLED-LD4-26SL-LC-UNV-L8XX-CD1-U	2712	23	112

Clear Lens (LC)	MTO	Standard	4 ft.	4SNLED-LD4-18SL-LC-UNV-L8XX-CD1-U	2038	16	111
Clear Lens (LC)	MTO	Standard	4 ft.	4SNLED-LD4-22SL-LC-UNV-L8XX-CD1-U	2301	18	120
Clear Lens (LC)	Stock	Standard	4 ft.	4SNLED-LD4-26SL-LC-UNV-L8XX-CD1-U	2688	22	120
Clear Lens (LC)	Stock	Standard	4 ft.	4SNLED-LD4-30SL-LC-UNV-L8XX-CD1-U	3061	25	120
Clear Lens (LC)	MTO	Standard	4 ft.	4SNLED-LD4-34SL-LC-UNV-L8XX-CD1-U	3431	28	120
Clear Lens (LC)	MTO	Standard	4 ft.	4SNLED-LD4-37SL-LC-UNV-L8XX-CD1-U	3822	32	114
Clear Lens (LC)	MTO	Standard	4 ft.	4SNLED-LD4-41SL-LC-UNV-L8XX-CD1-U	4233	37	112
Clear Lens (LC)	Stock	Standard	4 ft.	4SNLED-LD4-46SL-LC-UNV-L8XX-CD1-U	4615	41	112
Clear Lens (LC)	MTO	Standard	4 ft.	4SNLED-LD4-49SL-LC-UNV-L8XX-CD1-U	4994	46	107
Clear Lens (LC)	MTO	Standard	4 ft.	4SNLED-LD4-52SL-LC-UNV-L8XX-CD1-U	5357	50	104
Clear Lens (LC)	MTO	Standard	4 ft.	4SNLED-LD4-56SL-LC-UNV-L8XX-CD1-U	5714	56	99
Clear Lens (LC)	MTO	High	4 ft.	4SNLED-LD4-60HL-LC-UNV-L8XX-CD1-U	6115	51	118

Clear Lens (LC)	MTO	Standard	8 ft.	8TSNLED-LD4-60SL-LC-UNV-L8XX-CD1-U	6122	50	120
Clear Lens (LC)	MTO	Standard	8 ft.	8TSNLED-LD4-68SL-LC-UNV-L8XX-CD1-U	6863	57	120
Clear Lens (LC)	Stock	Standard	8 ft.	8TSNLED-LD4-75SL-LC-UNV-L8XX-CD1-U	7643	65	116
Clear Lens (LC)	Stock	Standard	8 ft.	8TSNLED-LD4-83SL-LC-UNV-L8XX-CD1-U	8466	73	113
Clear Lens (LC)	MTO	Standard	8 ft.	8TSNLED-LD4-90SL-LC-UNV-L8XX-CD2-U	9230	82	110
Clear Lens (LC)	MTO	Standard	8 ft.	8TSNLED-LD4-98SL-LC-UNV-L8XX-CD2-U	9988	91	107
Clear Lens (LC)	MTO	Standard	8 ft.	8TSNLED-LD4-105SL-LC-UNV-L8XX-CD2-U	10714	100	105
Clear Lens (LC)	MTO	High	8 ft.	8SNLED-LD4-130HL-LC-UNV-L8XX-CD1-U	13000	130	100
Clear Lens (LC)	MTO	High	8 ft.	8SNLED-LD4-170HL-LC-UNV-L8XX-CD1-U	17460	140	125

SNLED Type	Stock* / MTO	Lumen Type	Length	Catalog Logic	Nominal Lumens	Wattage	lm/W
Semi-Frost Lens (LN)	MTO	Standard	2 ft.	2SNLED-LD4-18SL-LN-UNV-L8XX-CD1-U	1901	17	105
Semi-Frost Lens (LN)	MTO	Standard	2 ft.	2SNLED-LD4-22SL-LN-UNV-L8XX-CD1-U	2318	22	101
Semi-Frost Lens (LN)	MTO	Standard	2 ft.	2SNLED-LD4-26SL-LN-UNV-L8XX-CD1-U	2704	23	116
Semi-Frost Lens (LN)	MTO	High	2 ft.	2SNLED-LD4-32HL-LN-UNV-L8XX-CD1-U	3200	32	100

Semi-Frost Lens (LN)	MTO	Standard	4 ft.	4SNLED-LD4-18SL-LN-UNV-L8XX-CD1-U	2032	16	111
Semi-Frost Lens (LN)	MTO	Standard	4 ft.	4SNLED-LD4-22SL-LN-UNV-L8XX-CD1-U	2294	18	120
Semi-Frost Lens (LN)	Stock	Standard	4 ft.	4SNLED-LD4-26SL-LN-UNV-L8XX-CD1-U	2680	22	120
Semi-Frost Lens (LN)	Stock	Standard	4 ft.	4SNLED-LD4-30SL-LN-UNV-L8XX-CD1-U	3052	25	120
Semi-Frost Lens (LN)	MTO	Standard	4 ft.	4SNLED-LD4-34SL-LN-UNV-L8XX-CD1-U	3421	28	120
Semi-Frost Lens (LN)	MTO	Standard	4 ft.	4SNLED-LD4-37SL-LN-UNV-L8XX-CD1-U	3810	32	114
Semi-Frost Lens (LN)	MTO	Standard	4 ft.	4SNLED-LD4-41SL-LN-UNV-L8XX-CD1-U	4220	37	112
Semi-Frost Lens (LN)	Stock	Standard	4 ft.	4SNLED-LD4-46SL-LN-UNV-L8XX-CD1-U	4601	41	112
Semi-Frost Lens (LN)	MTO	Standard	4 ft.	4SNLED-LD4-49SL-LN-UNV-L8XX-CD1-U	4979	46	107
Semi-Frost Lens (LN)	MTO	Standard	4 ft.	4SNLED-LD4-53SL-LN-UNV-L8XX-CD1-U	5341	50	106
Semi-Frost Lens (LN)	MTO	Standard	4 ft.	4SNLED-LD4-56SL-LN-UNV-L8XX-CD1-U	5697	56	99
Semi-Frost Lens (LN)	MTO	High	4 ft.	4SNLED-LD4-60HL-LN-UNV-L8XX-CD1-U	6096	51	118

Semi-Frost Lens (LN)	MTO	Standard	8 ft.	8TSNLED-LD4-60SL-LN-UNV-L8XX-CD1-U	6103	50	120
Semi-Frost Lens (LN)	MTO	Standard	8 ft.	8TSNLED-LD4-68SL-LN-UNV-L8XX-CD1-U	6842	57	120
Semi-Frost Lens (LN)	Stock	Standard	8 ft.	8TSNLED-LD4-75SL-LN-UNV-L8XX-CD1-U	7620	65	116
Semi-Frost Lens (LN)	Stock	Standard	8 ft.	8TSNLED-LD4-83SL-LN-UNV-L8XX-CD1-U	8441	73	113
Semi-Frost Lens (LN)	MTO	Standard	8 ft.	8TSNLED-LD4-91SL-LN-UNV-L8XX-CD2-U	9202	82	111
Semi-Frost Lens (LN)	MTO	Standard	8 ft.	8TSNLED-LD4-98SL-LN-UNV-L8XX-CD2-U	9958	91	107
Semi-Frost Lens (LN)	MTO	Standard	8 ft.	8TSNLED-LD4-106SL-LN-UNV-L8XX-CD2-U	10681	100	106
Semi-Frost Lens (LN)	MTO	High	8 ft.	8TSNLED-LD4-130HL-LN-UNV-L8XX-CD2-U	13000	130	100
Semi-Frost Lens (LN)	MTO	High	8 ft.	8TSNLED-LD4-170HL-LN-UNV-L8XX-CD2-U	17100	140	122

## WATTAGE

SNLED Type	Stock* / MTO	Lumen Type	Length	Catalog Logic	Nominal Lumens	Wattage	lm/W
Full Frost Lens (LW)	MTO	Standard	2 ft.	2SNLED-LD4-16SL-LW-UNV-L8XX-CD1-U	1702	17	99
Full Frost Lens (LW)	MTO	Standard	2 ft.	2SNLED-LD4-20SL-LW-UNV-L8XX-CD1-U	2075	22	92
Full Frost Lens (LW)	MTO	Standard	2 ft.	2SNLED-LD4-23SL-LW-UNV-L8XX-CD1-U	2421	23	104
Full Frost Lens (LW)	MTO	Standard	4 ft.	4SNLED-LD4-16SL-LW-UNV-L8XX-CD1-U	1819	16	111
Full Frost Lens (LW)	MTO	Standard	4 ft.	4SNLED-LD4-20SL-LW-UNV-L8XX-CD1-U	2054	18	109
Full Frost Lens (LW)	Stock	Standard	4 ft.	4SNLED-LD4-23SL-LW-UNV-L8XX-CD1-U	2399	22	111
Full Frost Lens (LW)	Stock	Standard	4 ft.	4SNLED-LD4-27SL-LW-UNV-L8XX-CD1-U	2732	25	108
Full Frost Lens (LW)	MTO	Standard	4 ft.	4SNLED-LD4-30SL-LW-UNV-L8XX-CD1-U	3062	28	106
Full Frost Lens (LW)	MTO	Standard	4 ft.	4SNLED-LD4-33SL-LW-UNV-L8XX-CD1-U	3411	32	105
Full Frost Lens (LW)	MTO	Standard	4 ft.	4SNLED-LD4-37SL-LW-UNV-L8XX-CD1-U	3778	37	101
Full Frost Lens (LW)	Stock	Standard	4 ft.	4SNLED-LD4-41SL-LW-UNV-L8XX-CD1-U	4119	41	100
Full Frost Lens (LW)	MTO	Standard	4 ft.	4SNLED-LD4-44SL-LW-UNV-L8XX-CD1-U	4457	46	96
Full Frost Lens (LW)	MTO	Standard	4 ft.	4SNLED-LD4-47SL-LW-UNV-L8XX-CD1-U	4781	50	94
Full Frost Lens (LW)	MTO	Standard	4 ft.	4SNLED-LD4-50SL-LW-UNV-L8XX-CD1-U	5100	56	89
Full Frost Lens (LW)	MTO	High	4 ft.	4SNLED-LD4-54HL-LW-UNV-L8XX-CD1-U	5458	51	106
Full Frost Lens (LW)	MTO	Standard	8 ft.	8TSNLED-LD4-54SL-LW-UNV-L8XX-CD1-U	5464	50	108
Full Frost Lens (LW)	MTO	Standard	8 ft.	8TSNLED-LD4-61SL-LW-UNV-L8XX-CD1-U	6125	57	107
Full Frost Lens (LW)	Stock	Standard	8 ft.	8TSNLED-LD4-67SL-LW-UNV-L8XX-CD1-U	6822	65	104
Full Frost Lens (LW)	Stock	Standard	8 ft.	8TSNLED-LD4-74SL-LW-UNV-L8XX-CD1-U	7556	73	101
Full Frost Lens (LW)	MTO	Standard	8 ft.	8TSNLED-LD4-81SL-LW-UNV-L8XX-CD2-U	8238	82	99
Full Frost Lens (LW)	MTO	Standard	8 ft.	8TSNLED-LD4-88SL-LW-UNV-L8XX-CD2-U	8915	91	96
Full Frost Lens (LW)	MTO	Standard	8 ft.	8TSNLED-LD4-95SL-LW-UNV-L8XX-CD2-U	9562	100	95
Full Frost Lens (LW)	MTO	High	8 ft.	8TSNLED-LD4-110HL-LW-UNV-L8XX-CD2-U	11000	130	84
Full Frost Lens (LW)	MTO	High	8 ft.	8TSNLED-LD4-150HL-LW-UNV-L8XX-CD2-U	15300	140	121

\* Stocked in either 3500K or 4000K

## PHOTOMETRICS

See website for IES/photometric files

## LUMEN MAINTENANCE

Ambient Temperature	TM-21 Lumen Maintenance (12,000 hours)	Theoretical L70 (Hours)
25°C	92.55%	273,000

Max Ambient temp in compliance with CSA: 40°C

ORDERING INFORMATION

SAMPLE NUMBER: 4SNLED-LD4-46SL-LN-UNV-L835-CD1-U

<p>2=2' Length 4=4' Length 8T=8' Length</p>	<p><b>Optic</b> LC=Clear Lens LN=Semi-Frost Lens - Narrow LW=Full Frost Lens - Wide</p>	<p><b>Driver Type</b> CD=0-10V Dimming Driver (10% - 100% Dimming) HCD=0-10V Dimming Driver (1% - 100% Dimming) <sup>(11)</sup> SD=Step-dim (Bi Level) <sup>(4), (10)</sup> 5LTD=Fifth Light (DALI) Driver <sup>(4), (6)</sup></p>	<p><b>Packaging</b> U=Unit Pack</p>
<p><b>Series</b> SNLED=Commercial LED Striplight <sup>(9)</sup></p>	<p><b>Voltage</b> UNV=Universal Voltage 120-277 347=347V 480=480V <sup>(4)</sup></p>	<p><b>Number of Drivers</b> 1=1 Driver 2=2 Drivers</p>	
<p><b>Lamp Type</b> LD4=LED 4.0</p>	<p><b>Options</b> <b>Emergency</b> EL7W=7-watt, 120V-277V emergency battery pack installed <sup>(7), (4)</sup> EL14W=14-watt 120V-277V emergency battery pack installed <sup>(7), (4)</sup> GTD2=Bodine Generator Transfer Device <sup>(13)</sup> TSS2=LOTA Emergency Transfer Switch <sup>(13)</sup></p>	<p><b>ACCESSORIES</b></p>	
<p><b>LED Lumens Output</b> <sup>(2)</sup> <b>Stocked Lumen</b> <b>Packages - LC</b> 26SL=2600 <sup>(8)</sup> 30SL=3000 46SL=4600 75SL=7500 <sup>(14)</sup> 83SL=8300 <sup>(14)</sup></p>	<p><b>Stocked Lumen</b> <b>Packages - LN</b> 26SL=2600 <sup>(8)</sup> 30SL=3000 32HL=3200 46SL=4600 75SL=7500 <sup>(14)</sup> 83SL=8300 <sup>(14)</sup></p>	<p><b>Stocked Lumen</b> <b>Packages - LW</b> 23SL=2300 <sup>(8)</sup> 27SL=2700 41SL=4100 67SL=6700 <sup>(14)</sup> 74SL=7400 <sup>(14)</sup></p>	<p>(Order Separately) AYC-Chain/Set=36" Chain Hanger (Use 1 set per fixture) SCF=Fixed Stem Set (Specify Length) SCS=Swivel Stem Set (Specify Length) SCA=Adjustable 48" Stem Set EYE CHAIN SET/3FT=Eye Bolt Chain (Use 1 set per fixture) WG/SNF-2FT=2' Wire Guard WG/SNF-4FT=4' Wire Guard A1B/Spacer-U=Spacer 1-1/2" to 2-1/2" from ceiling (Use 2 per fixture) TOGGLE=Single Toggle No. 2 (Specify Length) Y-TOGGLE=Y Toggle No. 2 (Specify Length)</p>
<p><b>MTO Lumen</b> <b>Packages - LC</b> 18SL=1800 <sup>(8)</sup> 22SL=2200 34SL=3400 37SL=3700 41SL=4100 49SL=4900 52SL=5200 56SL=5600 60SL=6000 <sup>(14)</sup> 60HL=6000 <sup>(1), (14)</sup> 68SL=6800 <sup>(14)</sup> 90SL=9000 <sup>(3), (14)</sup> 98SL=9800 <sup>(3), (14)</sup> 105SL=10,500 <sup>(3), (14)</sup> 130HL=13,000 <sup>(3), (12), (14)</sup> 170HL=17,000 <sup>(3), (12), (14)</sup></p>	<p><b>MTO Lumen</b> <b>Packages - LN</b> 18SL=1800 <sup>(8)</sup> 22SL=2200 <sup>(8)</sup> 34SL=3400 37SL=3700 41SL=4100 49SL=4900 53SL=5300 56SL=5600 60SL=6000 60HL=6000 <sup>(1), (14)</sup> 68SL=6800 <sup>(14)</sup> 91SL=9100 <sup>(3), (14)</sup> 98SL=9800 <sup>(3), (14)</sup> 106SL=10,600 <sup>(3), (14)</sup> 130HL=13,000 <sup>(3), (14)</sup> 170HL=17,000 <sup>(3), (14)</sup></p>	<p><b>MTO Lumen</b> <b>Packages - LW</b> 16SL=1600 <sup>(8)</sup> 20SL=2000 30SL=3000 33SL=3300 37SL=3700 44SL=4400 47SL=4700 50SL=5000 54SL=5400 54HL=5400 <sup>(1), (14)</sup> 61SL=6100 <sup>(14)</sup> 81SL=8100 <sup>(3), (14)</sup> 88SL=8800 <sup>(3), (14)</sup> 95SL=9500 <sup>(3), (14)</sup> 110HL=11,000 <sup>(3), (14)</sup> 150HL=15,300 <sup>(3), (14)</sup></p>	

NOTES: <sup>(1)</sup> 4 ft. only. <sup>(2)</sup> Nominal lumen values. <sup>(3)</sup> Two drivers required. <sup>(4)</sup> 4 ft. and 8 ft. only. <sup>(5)</sup> Motion Sensor offers dimmability. <sup>(6)</sup> For a complete listing of Fifth Light products, visit [www.eaton.com/lightingsystems](http://www.eaton.com/lightingsystems) <sup>(7)</sup> With integral test switch/indicator/laser test. For approximate delivered lumens multiply the lumens per watt of the desired fixture by the wattage of the emergency battery pack (100 lm/W x 7=700 lumens). IES-format photometry for luminaire under emergency operation available. <sup>(8)</sup> 2 ft. and 4 ft. only. <sup>(9)</sup> DesignLights Consortium™ Qualified and classified for DLC Standard (all lumen packages), refer to [www.designlights.org](http://www.designlights.org) for details. <sup>(10)</sup> 4100 lumen and above on 4 ft. and 8200 lumen and above on 8 ft. <sup>(11)</sup> HCD driver option requires two drivers for 6700 – 10,500 lumens. Not available for 13,000 lumens and above. <sup>(12)</sup> Not currently listed on DLC QPL. <sup>(13)</sup> Used to transfer fixture to secondary power source for life-safety operation. When used with a dimming fixture, two devices are required to ensure control is disabled while operating under emergency power. <sup>(14)</sup> 8 ft. only.

Specifications & dimensions subject to change without notice. Consult your Eaton Representative for availability and ordering information.

SHIPPING DATA

Length.	Wt.
2 ft.	4.3 lbs.
4 ft.	8.2 lbs.
8 ft.	15.1 lbs.