

LET-75

SPECIFICATIONS

UL File Numbers

UL and C-UL Recognized
UL FILE # E 164062

Available Versions

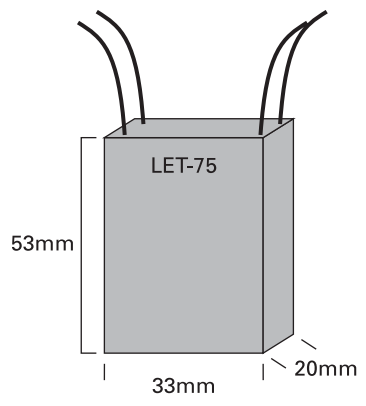
- 901075000-Standard Version
- 901075005-Bottom Feed Version
- 901075030-With Grounding Wire
- 901075070-With Double Sided Tape

Mechanical and Thermal

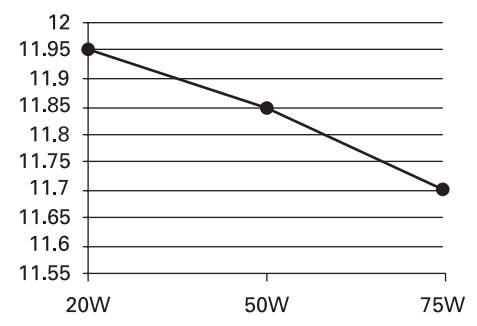
Dimensions 20mm x 33 mm x 53 mm
 Weight 3 ounces
 Lead wire length 6"
 ΔT 40°C
 Max. ambient temp. 50°C
 Output wire – Blue – 14AWG 200°C
 Input wire – White/Black – 18AWG 150°C
 Aluminum casing

Electrical

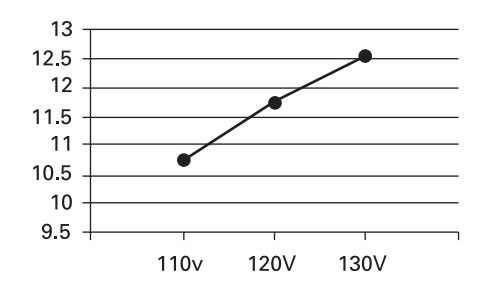
Maximum load 75W
 Minimum load w/o dimmer 10W
 Minimum load with dimmer 20W
 Input 120V 60Hz
 Output at max. load 11.7V 40kHz
 Input current at max. load 0.635A
 Output current at max. load 6.35A
 Power factor min. 0.95
 Dimmable



Output Voltage vs. Load at 120V



Output vs. Input at Max. Load



Short Circuit and Thermal Protection

Electronic internal resettable protection. Patent pending auto heat regulation that also automatically acts as overload protection. Thermal auto-reset 125C switch.

