

LET-75-12V/277V R

SPECIFICATIONS

UL File Numbers

UL approved. File # E164062
Transformer meets CE standards

Available Versions

901075277-Standard Version
901075278-Bottom Feed Version

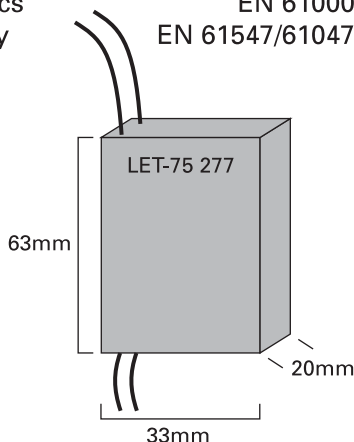
Mechanical and Thermal

Dimensions 20mm x 33 mm x 63 mm
Weight 3.5 ounces
Lead wire length 6"
 ΔT 40°C
Max. ambient temp. 50°C
Output wire – Blue – 14AWG 200°C
Input wire – White/Black – 18AWG 150°C
PC plastic casing UL94V0

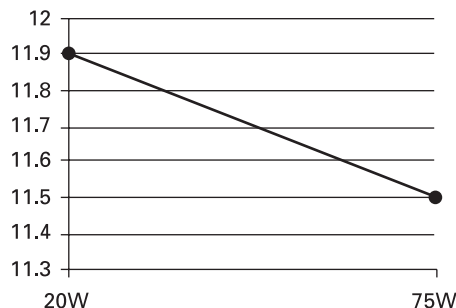


Electrical

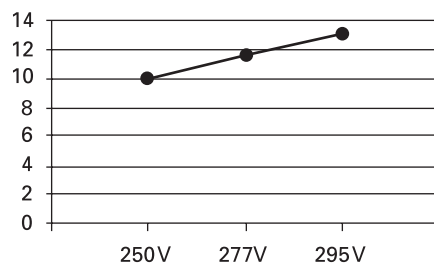
Maximum load 75W
Minimum load with dimmer 20W
Input 277V 50/60Hz
Output at Max. load 11.5V 40 kHz
Input current at Max. load 0.27A
Output current at Max. load 6.25A
Power factor Min. 0.95
Dimmable
EMC (RFI) EN 55015
RFI protection compatible with FCC limits
Harmonics EN 61000
Immunity EN 61547/61047



Output Voltage vs. Load at 277V



Output vs. Input at Max. Load



Short Circuit and Thermal Protection

Electronic internal resettable short circuit protection. Thermal auto-reset 125C switch

