



PRODUCT FEATURES

- ANSI Designation: M47 or H36
- Line Voltage: 480
- Regulation: 10%
- Frequency: 60 Hz
- Recommended Fuse (A): 6
- Circuit Type: CWA (Without Ignitor)
- Insulation Class: 180°C
- Capacitor Value: 24 MF
- Capacitor Voltage Rating: 480 V
- Capacitor Temperature Rating: 90°C
- Winding Materials: Cu/Al
- Lamp Starter: N/A
- Agency Certification: RU, cRU
- Maximum Distance to Lamp: N/A
- 2 Year Warranty

LAMP TYPE: 1000W MH

INPUT VOLTAGE: Single Tap (480)

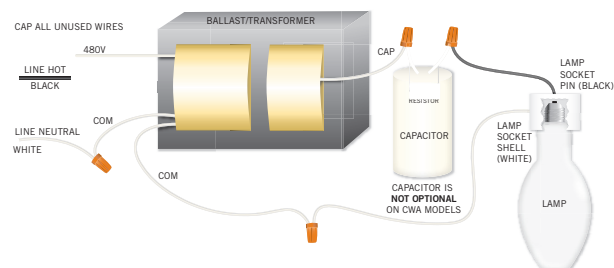
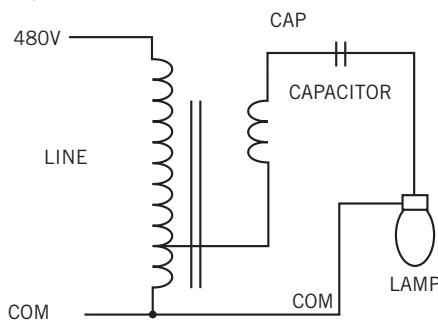
CIRCUIT TYPE: CWA (Without Ignitor)

ELECTRICAL SPECIFICATIONS

LINE VOLT (V)	POWER FACTOR	LINE CURRENT			INPUT POWER (W)	OPEN CIRCUIT VOLTAGE (V)	MINIMUM START TEMP	UL TEMP CODE	WIRING DIAGRAM
		OPERATING	OPEN	START					
480	High	2.30	1.98	1.49	1080	446	-30°C	C	H8A

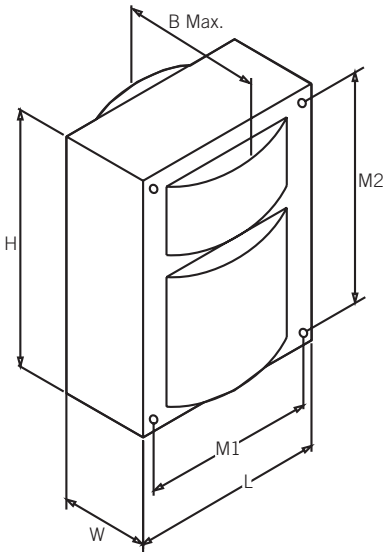
WIRING DIAGRAMS

DIAGRAM H8A



COLORS SHOWN REPRESENT THE MOST COMMON CONFIGURATION. HOWEVER, DEPENDING ON THE APPLICATION AND LOCAL CODE, SLIGHT DIFFERENCES MAY EXIST.

CASE STYLE/DIMENSIONS



OVERALL DIMENSIONS

LENGTH: 4.25"
WIDTH: 3.46"
HEIGHT: 6.00"
B MAX: 5.70"

MOUNTING HOLES

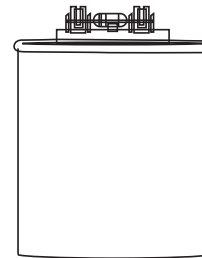
DIAMETER: 0.25"
M1: 3.87"
M2: 5.37"

BRACKET DIMENSIONS

LENGTH: 7.25"
WIDTH: 1.11"

LEAD LENGTH: 12-14"

BALLAST NET WEIGHT: 21.16 lbs



CAPACITOR INFO

WATTAGE: 1000
MICROFARAD: 24
VOLTAGE: 480V
TYPE: Oil Filled

ORDERING INFORMATION

ORDER CODE	PACKAGING STYLE	PACK QTY.	ITEM STATUS
MH-1000A-4-KIT		1	Quick Ship
*Kit Includes: Pre-Wired Ballast, Capacitor, Mounting Brackets, Mounting Hardware			

CATALOG NUMBER BREAKDOWN

MH-1000A-4-KIT

