



<b>KTSB-E-1040-14-UV</b>	
Ballast Type	Electronic
Starting Method	Instant Start
Lamp Connection	Parallel
Input Voltage	120 ~ 277Vac ± 10%
Input Frequency	60Hz / 50Hz

Electronic Sign Ballast for 4,3,2 and 1 F120T12HO lamps up to 10ft long or any combination thereof from 10-40ft.

Electronic Sign Ballast for 4,3,2 and 1 F96T8HO lamps up to 8ft long or any combination thereof from 8-32ft.

**ELECTRICAL SPECIFICATIONS:**

Lamp		Lamp Footage		Volts	Input Watts	Input Current (Amps)	Power Factor	Crest Factor	Max. THD %
Type	#	Min	Max						
F120T12HO	4,3,2,1	10	40	120	352	3.00	>0.98	<1.7	10
F120T12HO	4,3,2,1	10	40	277	349	1.30	>0.95	<1.7	10
F96T8HO	4,3,2,1	8	32	120	330	2.80	>0.98	<1.7	10
F96T8HO	4,3,2,1	8	32	277	325	1.25	>0.95	<1.7	10

**PERFORMANCE:**

- Sound Rated: A
- Minimum Starting Temperature: -20°F, -29°C
- Maximum Case Temperature: 194°F, 90°C
- Meets FCC Part 18 (Class A) Non Consumer Limits

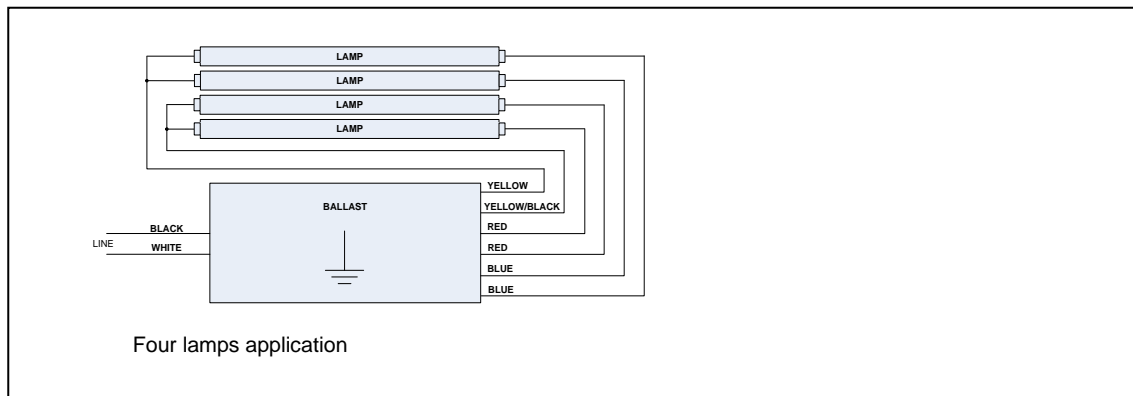
**APPROVALS:**

- UL, cUL 935 Listed

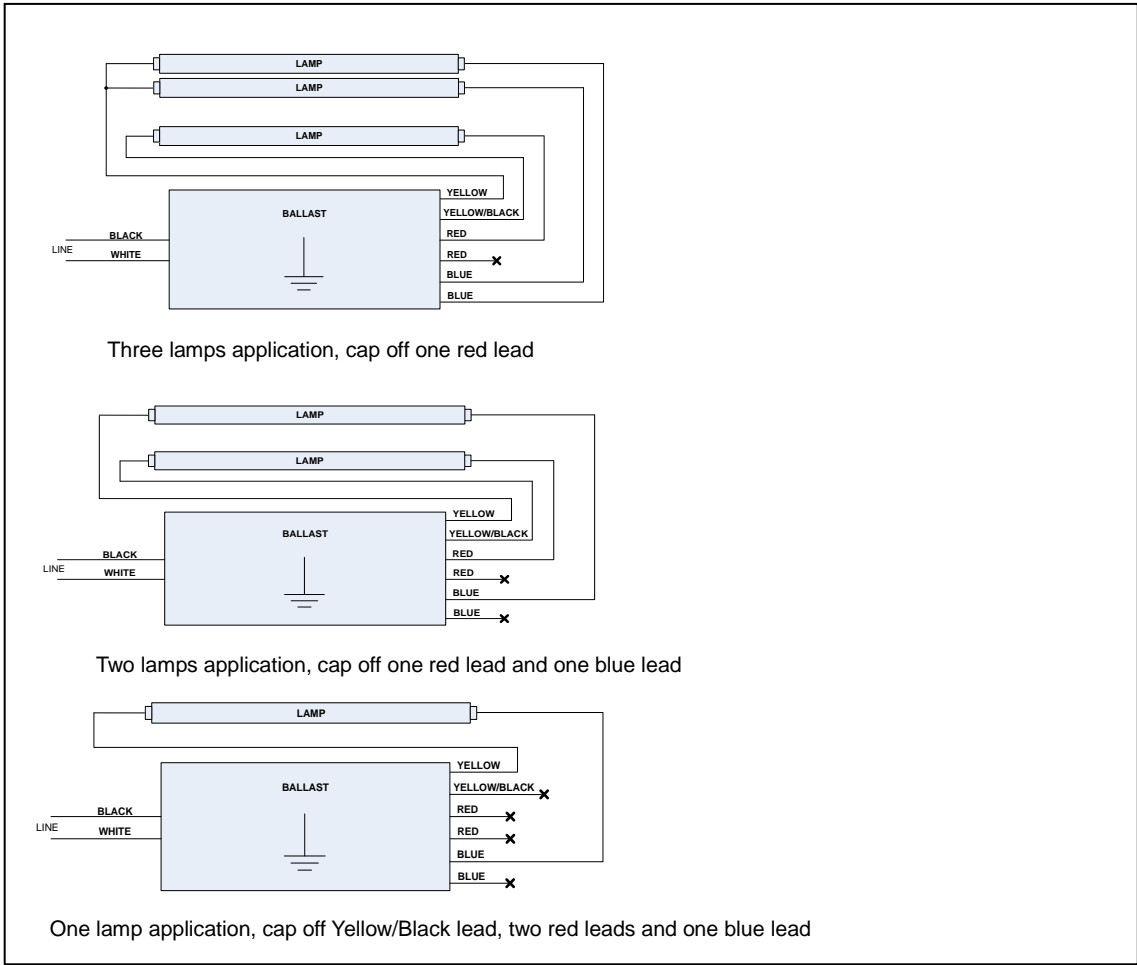
**PHYSICAL DIMENSIONS:**

Length (L):	14.45"	
Width (W):	3.23"	
Height (H):	2.20"	
Mounting (M):	13.75"	
Lead Length:		
White, Black:	24"	
Blue, Red, Yellow, Yellow/Black:	132"	

**WIRING DIAGRAM:**



**KEYSTONE TECHNOLOGIES LLC.**  
P.O. Box 246, AMBLER, PENNSYLVANIA 19002  
PHONE: 215-283-2600  
FAX: 215-628-4412  
INFO@KEYSTONEBALLAST.COM  
WWW.KEYSTONEBALLAST.COM



**Hot Spot Location:**

