



<b>KTSB-0412-12-1-TP</b>	
Ballast Type	Magnetic
Starting Method	Rapid Start
Lamp Connection	Series
Input Voltage	120Vac +5% -10%
Input Frequency	60Hz

**ELECTRICAL SPECIFICATIONS:**

Lamp Type	No. of Lamp	Lamp Footage	Input Watts	Input Current (Amps)	Power Factor	Crest Factor	Ballast Factor	Ballast Efficacy Factor	Max. THD %
F24T12/HO	2	4	90	0.90	0.84	2.1	0.78	0.87	55
F48T12/HO	1	4	80	0.82	0.84	2.1	0.77	0.96	55
F48T12/HO	2	8	130	1.13	0.97	2.0	0.85	0.65	20
F72T12/HO	1	6	100	0.92	0.92	2.0	0.81	0.81	35
F72T12/HO	2	12	185	1.58	0.98	1.9	0.89	0.52	15
F96T12/HO	1	8	120	1.03	0.96	2.0	0.84	0.70	25

**PERFORMANCE:**

- Minimum Starting Temperature: -20°F
- Maximum Ballast Case Temperature: 194°F, 90°C
- OCV: 500V
- 3-Year warranty

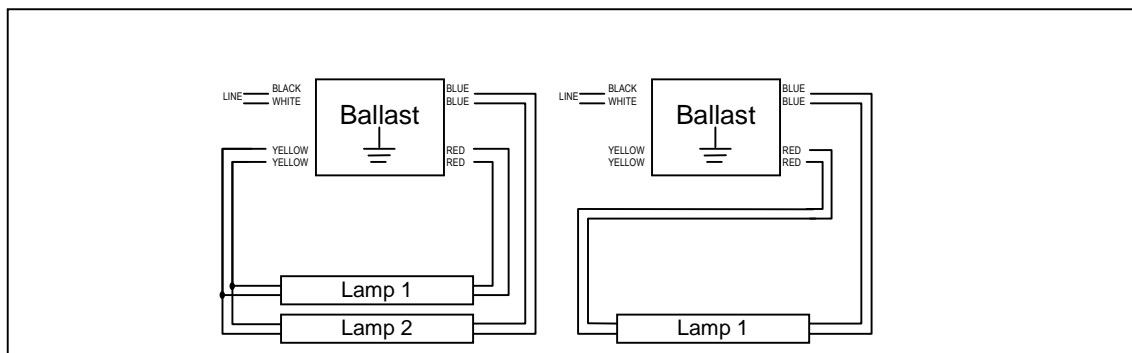
**APPROVALS:**

- UL & cUL 935 Listed (Class P, Outdoor, Type 2)
- Thermally Protected

**PHYSICAL DIMENSIONS:**

Length (L):	11.75"
Width (W):	3.19"
Height (H):	2.60"
Mounting (M):	11.0"

**WIRING DIAGRAM:**



**KEYSTONE TECHNOLOGIES LLC.**  
P.O. Box 246, AMBLER, PENNSYLVANIA 19002  
PHONE: 215-283-2600  
FAX: 215-628-4412  
INFO@KEYSTONEBALLAST.COM  
WWW.KEYSTONEBALLAST.COM