



PRODUCT FEATURES

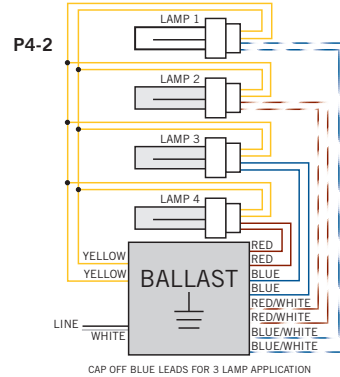
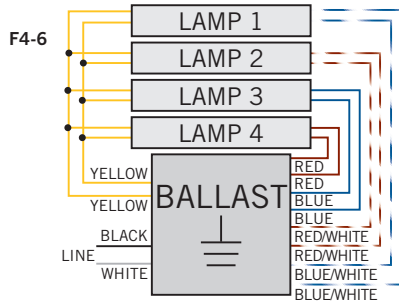
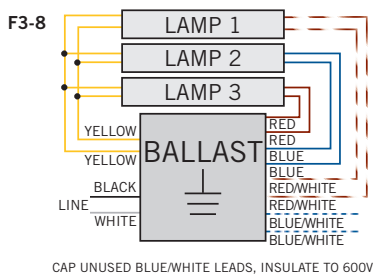
STARTING METHOD: Program	INPUT VOLTAGE: 120-277VAC ±10%	WARRANTY: 5 Years
LAMP CONNECTION: Parallel	INPUT FREQUENCY: 50/60 Hz	POWER FACTOR: High

- Sound Rated: A
- Minimum Starting Temperature: 0°F, -18°C
- Maximum Case Temperature: 167°F, 75°C
- Meets FCC Part 18 (Class A) Non-Consumer Limits
- Transient Protection Meets ANSI/IEEE62.41 Cat. A
- Ballast frequency for all listed lamps: > 40kHz

ELECTRICAL SPECIFICATIONS

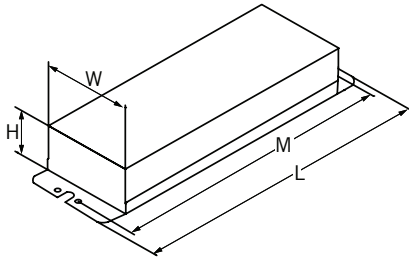
LAMP TYPE	NO. OF LAMPS	INPUT VOLTS	INPUT WATTS	INPUT CURRENT (AMPS)	POWER FACTOR	CREST FACTOR	BALLAST FACTOR	BALLAST EFFICACY FACTOR	MAX THD%	WIRING DIAGRAM
F32T8 32W	4	120	114.0	0.95	0.99	<1.70	0.86	0.75	10	F4-6
		277	114.0	0.42	0.98	<1.70	0.86	0.76	10	F4-6
	3	120	95.0	0.79	0.99	<1.70	0.92	0.97	10	F3-8
		277	95.0	0.35	0.98	<1.70	0.93	0.99	12	F3-8
F32T8 30W	4	120	104.0	0.87	0.99	<1.70	0.83	0.80	10	F4-6
		277	104.0	0.38	0.98	<1.70	0.84	0.80	12	F4-6
	3	120	86.0	0.72	0.99	<1.70	0.88	1.03	10	F3-8
		277	86.0	0.32	0.98	<1.70	0.89	1.03	12	F3-8
F32T8 28W	4	120	100.0	0.84	0.99	<1.70	0.85	0.85	10	F4-6
		277	100.0	0.37	0.98	<1.70	0.86	0.86	12	F4-6
	3	120	83.0	0.70	0.99	<1.70	0.92	1.11	10	F3-8
		277	83.0	0.31	0.97	<1.70	0.93	1.12	12	F3-8
F32T8 25W	4	120	93.0	0.77	0.99	<1.70	0.89	0.96	10	F4-6
		277	93.0	0.34	0.98	<1.70	0.89	0.96	12	F4-6
	3	120	76.0	0.64	0.99	<1.70	0.94	1.23	10	F3-8
		277	76.0	0.28	0.98	<1.70	0.94	1.24	12	F3-8
F25T8 25W	4	120	88.0	0.74	0.99	<1.70	0.84	0.96	10	F4-6
		277	88.0	0.33	0.98	<1.70	0.85	0.97	12	F4-6
	3	120	74.0	0.62	0.98	<1.70	0.90	1.21	12	F3-8
		277	74.0	0.28	0.97	<1.70	0.90	1.21	12	F3-8
F17T8 17W	4	120	63.0	0.52	0.98	<1.70	0.87	1.39	10	F4-6
		277	63.0	0.24	0.97	<1.70	0.89	1.41	12	F4-6
	3	120	53.0	0.45	0.98	<1.70	0.94	1.77	10	F3-8
		277	53.0	0.21	0.95	<1.70	0.94	1.78	15	F3-8
F40T8 40W	3	120	111.0	0.93	0.99	<1.70	0.88	0.80	10	F3-8
		277	111.0	0.41	0.98	<1.70	0.89	0.80	12	F3-8
PLL 25W	4	120	100.0	0.83	0.99	<1.70	0.88	0.88	10	P4-2
		277	99.0	0.36	0.98	<1.70	0.89	0.90	10	P4-2
	3	120	82.0	0.68	0.99	<1.70	0.95	1.16	10	P4-2
		277	82.0	0.30	0.98	<1.70	0.96	1.17	10	P4-2
PLL 28W	4	120	116.0	0.97	0.99	<1.70	0.91	0.78	10	P4-2
		277	116.0	0.42	0.98	<1.70	0.92	0.79	12	P4-2
	3	120	97.0	0.81	0.99	<1.70	1.00	1.03	10	P4-2
		277	97.0	0.36	0.98	<1.70	1.01	1.04	10	P4-2
PLL 40W	3	120	100.0	0.84	0.99	<1.70	0.75	0.74	10	P4-2
		277	100.0	0.37	0.98	<1.70	0.75	0.74	10	P4-2

WIRING DIAGRAMS



Program Start T8 ballasts require the use of NON-shunted lampholders/ sockets.

CASE STYLE/DIMENSIONS



CASE DIMENSIONS

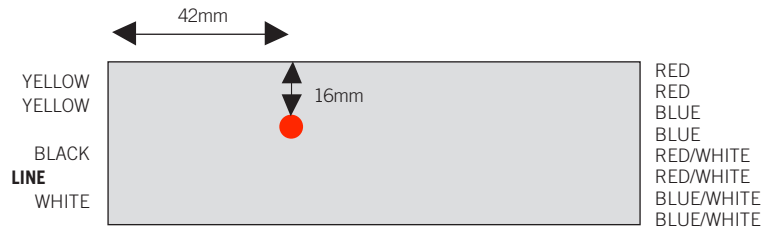
LENGTH: 9.50"
WIDTH: 1.70"
HEIGHT: 1.15"
MOUNTING: 8.90"
UNIT WEIGHT: 1.53 lbs

STANDARD LEAD LENGTHS*

BLACK: 25.00"
WHITE: 25.00"
BLUE: 32.00" X 32.00"
RED: 32.00" X 32.00"
YELLOW: 48.00" X 48.00"
RED/WHITE: 32.00" X 32.00"
BLUE/WHITE: 32.00" X 32.00"

*Consult Keystone for special lead length requirements.

HOT SPOT LOCATION



ORDERING INFORMATION

ORDER CODE	PACKAGING STYLE	PACK QTY.	ITEM STATUS
KTEB-432-UV-PS-N-P-CP	Carton	30	Quick Ship
KTEB-432-UV-PS-N-P-DP	Carton	10	Quick Ship

CATALOG NUMBER BREAKDOWN

KTEB-432-UV-PS-N-P

