



PRODUCT FEATURES

STARTING METHOD: Program	INPUT VOLTAGE: 120-277VAC ±10%	WARRANTY: 5 Years
LAMP CONNECTION: Parallel	INPUT FREQUENCY: 50/60 Hz	POWER FACTOR: High

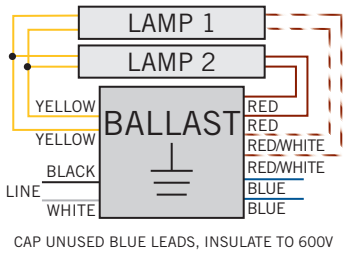
- Sound Rated: A
- Minimum Starting Temperature: 0°F, -18°C
- Maximum Case Temperature: 167°F, 75°C
- Meets FCC Part 18 (Class A) Non-Consumer Limits
- Transient Protection Meets ANSI/IEEE62.41 Cat. A
- Ballast frequency for all listed lamps: > 40kHz

ELECTRICAL SPECIFICATIONS

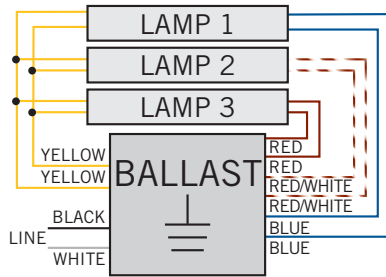
LAMP TYPE	NO. OF LAMPS	INPUT VOLTS	INPUT WATTS	INPUT CURRENT (AMPS)	POWER FACTOR	CREST FACTOR	BALLAST FACTOR	BALLAST EFFICACY FACTOR	MAX THD%	WIRING DIAGRAM
F32T8 32W	3	120	88.0	0.73	0.99	<1.70	0.88	1.00	10	F3-9
		277	88.0	0.32	0.98	<1.70	0.88	1.00	10	F3-9
	2	120	68.0	0.57	0.99	<1.70	0.98	1.44	10	F2-16
		277	69.0	0.25	0.98	<1.70	0.98	1.42	10	F2-16
F32T8 30W	3	120	81.0	0.68	0.99	<1.70	0.88	1.09	10	F3-9
		277	82.0	0.30	0.98	<1.70	0.88	1.07	10	F3-9
	2	120	62.0	0.52	0.99	<1.70	0.95	1.53	10	F2-16
		277	63.0	0.23	0.97	<1.70	0.95	1.51	10	F2-16
F32T8 28W	3	120	78.0	0.65	0.99	<1.70	0.88	1.13	10	F3-9
		277	79.0	0.29	0.98	<1.70	0.88	1.11	10	F3-9
	2	120	61.0	0.52	0.99	<1.70	1.00	1.64	10	F2-16
		277	61.0	0.23	0.97	<1.70	1.00	1.64	10	F2-16
F32T8 25W	3	120	72.0	0.60	0.99	<1.70	0.90	1.25	10	F3-9
		277	73.0	0.27	0.98	<1.70	0.90	1.23	10	F3-9
	2	120	55.0	0.46	0.99	<1.70	0.97	1.77	10	F2-16
		277	56.0	0.21	0.98	<1.70	0.98	1.75	10	F2-16
F25T8 25W	3	120	68.0	0.58	0.99	<1.70	0.88	1.29	10	F3-9
		277	69.0	0.26	0.98	<1.70	0.88	1.28	10	F3-9
	2	120	53.0	0.44	0.98	<1.70	0.95	1.79	10	F2-16
		277	54.0	0.20	0.97	<1.70	0.95	1.76	10	F2-16
F17T8 17W	3	120	50.0	0.42	0.98	<1.70	0.90	1.80	10	F3-9
		277	51.0	0.19	0.97	<1.70	0.90	1.77	10	F3-9
	2	120	40.0	0.33	0.98	<1.70	0.98	2.45	10	F2-16
		277	41.0	0.15	0.95	<1.70	0.98	2.39	12	F2-16
F40T8 40W	2	120	80.0	0.67	0.99	<1.70	0.95	1.19	10	F2-16
		277	81.0	0.30	0.98	<1.70	0.95	1.17	10	F2-16
PLL 25W	3	120	75.0	0.62	0.99	<1.70	0.88	1.17	10	P3-2
		277	75.0	0.27	0.98	<1.70	0.89	1.19	10	P3-2
	2	120	57.0	0.48	0.99	<1.70	0.94	1.65	10	P3-2
		277	58.0	0.22	0.97	<1.70	0.95	1.64	12	P3-2
PLL 28W	3	120	89.0	0.75	0.99	<1.70	0.93	1.04	10	P3-2
		277	89.0	0.32	0.98	<1.70	0.94	1.06	10	P3-2
	2	120	69.0	0.58	0.99	<1.70	1.06	1.54	10	P3-2
		277	70.0	0.25	0.98	<1.70	1.06	1.51	10	P3-2
PLL 40W	2	120	71.0	0.59	0.99	<1.70	0.76	1.07	10	P3-2
		277	71.0	0.26	0.98	<1.70	0.76	1.07	10	P3-2

WIRING DIAGRAMS

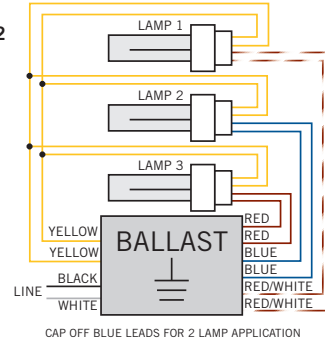
F2-16



F3-9

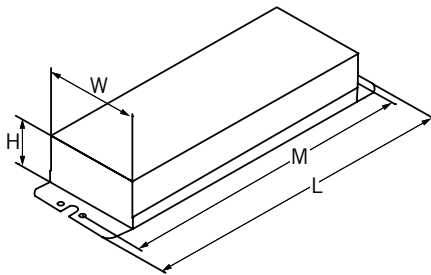


P3-2



Program Start T8 ballasts require the use of NON-shunted lampholders/sockets.

CASE STYLE/DIMENSIONS



CASE DIMENSIONS

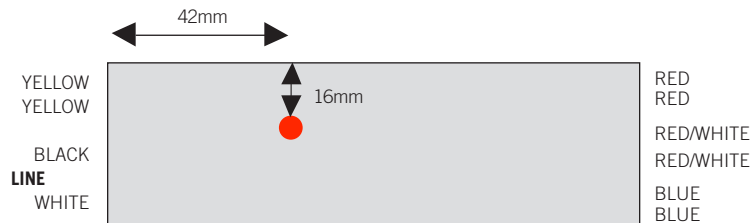
LENGTH: 9.50"
WIDTH: 1.70"
HEIGHT: 1.15"
MOUNTING: 8.90"
UNIT WEIGHT: 1.50 lbs

STANDARD LEAD LENGTHS*

BLACK: 25.00"
WHITE: 25.00"
BLUE: 32.00" X 32.00"
RED: 32.00" X 32.00"
RED/WHITE: 32.00" X 32.00"
YELLOW: 48.00" X 48.00"

*Consult Keystone for special lead length requirements.

HOT SPOT LOCATION



ORDERING INFORMATION

ORDER CODE	PACKAGING STYLE	PACK QTY.	ITEM STATUS
KTEB-332-UV-PS-N-P-CP	Carton	30	Quick Ship

CATALOG NUMBER BREAKDOWN

KTEB-332-UV-PS-N-P

