



PRODUCT FEATURES

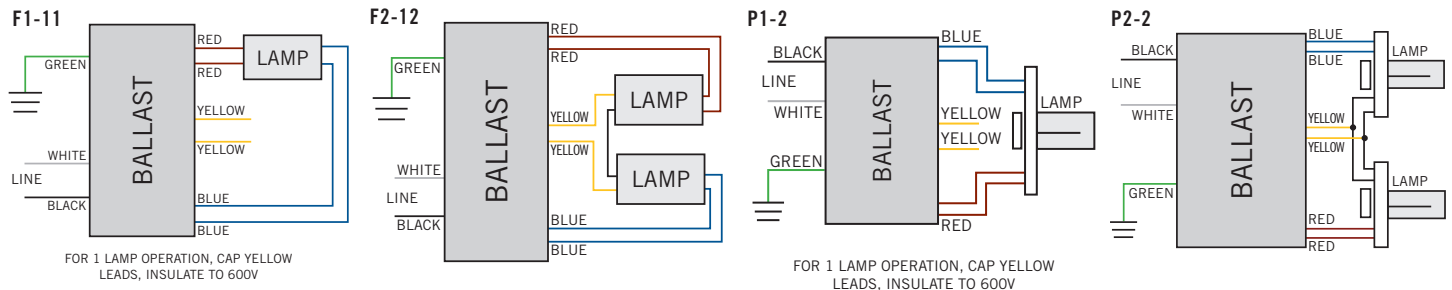
STARTING METHOD: Program	INPUT VOLTAGE: 120-277VAC ±10%	WARRANTY: 5 Years
LAMP CONNECTION: Series	INPUT FREQUENCY: 50/60 Hz	POWER FACTOR: High

- Sound Rated: A
- Minimum Starting Temperature: 0°F, -18°C
- Maximum Case Temperature: 194°F, 90°C
- Meets FCC Part 18 (Class A) Non-Consumer Limits
- Transient Protection Meets ANSI/IEEE62.41 Cat. A
- Lamp end-of-life protected

ELECTRICAL SPECIFICATIONS

LAMP TYPE	NO. OF LAMPS	INPUT VOLTS	INPUT WATTS	INPUT CURRENT (AMPS)	POWER FACTOR	CREST FACTOR	BALLAST FACTOR	BALLAST EFFICACY FACTOR	MAX THD%	WIRING DIAGRAM
F54T5/HO	2	120	120.0	1.00	0.99	1.70	1.00	0.83	10	F2-12
		277	120.0	0.43	0.98	1.70	1.00	0.83	10	F2-12
	1	120	61.0	0.51	0.99	1.70	1.01	1.65	10	F1-11
		277	61.0	0.23	0.97	1.70	1.01	1.65	12	F1-11
FC12T5/HO 55W	2	120	104.0	0.87	0.99	1.70	0.85	0.82	10	P2-2
		277	104.0	0.39	0.98	1.70	0.85	0.82	10	P2-2
	1	120	50.0	0.41	0.98	1.70	0.81	1.60	12	P1-2
		277	50.0	0.19	0.96	1.70	0.81	1.60	15	P1-2
FT55W/2G11	2	120	112.0	0.94	0.98	1.70	0.90	0.80	10	P2-2
		277	109.0	0.41	0.98	1.70	0.90	0.83	10	P2-2
	1	120	58.0	0.49	0.96	1.70	0.92	1.59	15	P1-2
		277	58.0	0.22	0.96	1.70	0.92	1.59	15	P1-2
FT50W/2G11	2	120	106.0	0.89	0.99	1.70	0.95	0.90	10	P2-2
		277	106.0	0.39	0.98	1.70	0.95	0.90	12	P2-2
	1	120	51.0	0.43	0.99	1.70	0.90	1.76	10	P1-2
		277	51.0	0.19	0.96	1.70	0.90	1.76	15	P1-2
FT36W/2G11	2	120	79.0	0.66	0.98	1.70	0.99	1.26	10	P2-2
		277	79.0	0.29	0.97	1.70	0.99	1.26	12	P2-2
	1	120	41.0	0.34	0.98	1.70	0.97	2.37	10	P1-2
		277	41.0	0.16	0.95	1.70	0.97	2.37	15	P1-2

WIRING DIAGRAMS

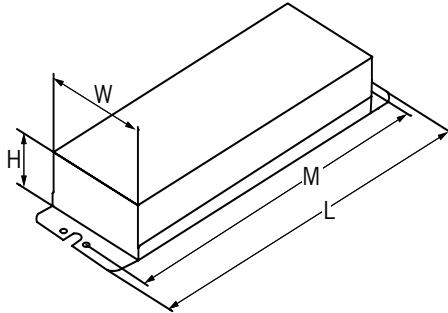




KTEB-254HO-UV-PS-SL

T5HO ELECTRONIC FLUORESCENT

CASE STYLE/DIMENSIONS



CASE DIMENSIONS

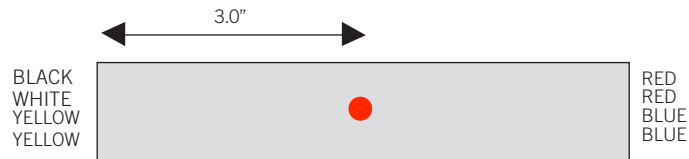
LENGTH: 9.57"
WIDTH: 1.35"
HEIGHT: 1.06"
MOUNTING: 8.96"
UNIT WEIGHT: 1.10 lbs

STANDARD LEAD LENGTHS*

BLACK: 24.00"
WHITE: 24.00"
BLUE: 28.00" X 28.00"
RED: 28.00" X 28.00"
YELLOW: 44.00" X 44.00"

*Consult Keystone for special lead length requirements.

HOT SPOT LOCATION



ORDERING INFORMATION

ORDER CODE	PACKAGING STYLE	PACK QTY.	ITEM STATUS
KTEB-254HO-UV-PS-SL-CP	Carton	40	Quick Ship

CATALOG NUMBER BREAKDOWN

KTEB-254HO-UV-PS-SL

