



## PRODUCT FEATURES

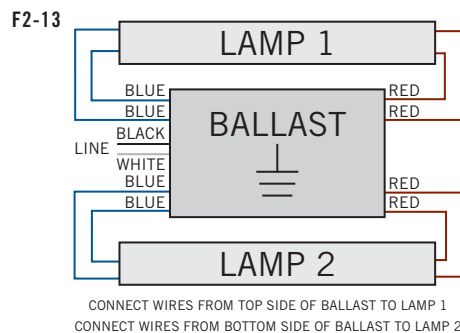
<b>STARTING METHOD:</b> Program	<b>INPUT VOLTAGE:</b> 120VAC ±10%	<b>WARRANTY:</b> 3 Years
<b>LAMP CONNECTION:</b> Parallel	<b>INPUT FREQUENCY:</b> 50/60 Hz	<b>POWER FACTOR:</b> Normal

- Sound Rated: A
- Minimum Starting Temperature: 0°F, -18°C
- Maximum Case Temperature: 167°F, 75°C
- Meets FCC Part 18 (Class B) Consumer Limits
- Lamp end-of-life protected

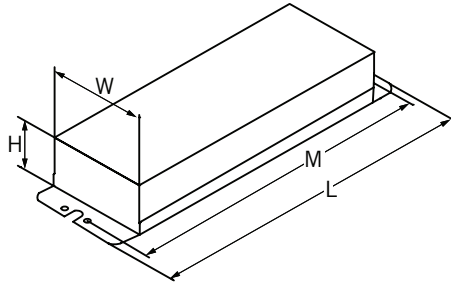
## ELECTRICAL SPECIFICATIONS

LAMP TYPE	NO. OF LAMPS	INPUT VOLTS	INPUT WATTS	INPUT CURRENT (AMPS)	POWER FACTOR	CREST FACTOR	BALLAST FACTOR	BALLAST EFFICACY FACTOR	MAX THD%	WIRING DIAGRAM
F28T5	2	120	50.0	0.70	0.59	1.51	0.80	1.60	130	F2-13
F21T5	2	120	41.0	0.60	0.58	1.51	1.00	2.44	130	F2-13
F14T5	2	120	30.0	0.44	0.55	1.55	0.95	3.17	130	F2-13

## WIRING DIAGRAMS



## CASE STYLE/DIMENSIONS



### CASE DIMENSIONS

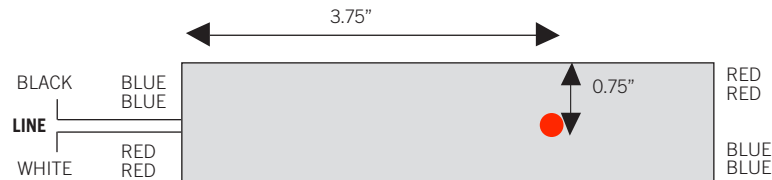
LENGTH: 6.46"
WIDTH: 1.37"
HEIGHT: 1.00"
MOUNTING: 6.00"
UNIT WEIGHT: 1.00 lbs

### STANDARD LEAD LENGTHS\*

BLACK: 15.00"
WHITE: 15.00"
BLUE: 36.00" X 36.00" X 36.00" X 36.00"
RED: 36.00" X 36.00" X 36.00" X 36.00"

\*Consult Keystone for special lead length requirements.

## HOT SPOT LOCATION



## ORDERING INFORMATION

ORDER CODE	PACKAGING STYLE	PACK QTY.	ITEM STATUS
KTEB-221PS-1-TP		1	Active

## CATALOG NUMBER BREAKDOWN

# KTEB-221PS-1-TP

Keystone Technologies  
Electronic Ballast
2  
Lamps
21  
Watts
Program  
Start
120V  
Input
Thermally  
Protected