



| <b>KTEB-220-1-TP-EMI</b> |                  |
|--------------------------|------------------|
| Ballast Type             | Electronic       |
| Starting Method          | Rapid Start      |
| Lamp Connection          | Parallel         |
| Input Voltage            | 120Vac $\pm$ 10% |
| Input Frequency          | 60Hz             |

**ELECTRICAL SPECIFICATIONS:**

| Lamp Type | No. of Lamp | Input Watts | Input Current (Amps) | Power Factor | Crest Factor | Ballast Factor | Ballast Efficacy Factor | Max. THD % |
|-----------|-------------|-------------|----------------------|--------------|--------------|----------------|-------------------------|------------|
| F20T8     | 2           | 34          | 0.50                 | 0.57         | 1.52         | 0.88           | 2.59                    | 130        |
| F20T12    | 2           | 34          | 0.50                 | 0.57         | 1.52         | 0.88           | 2.59                    | 130        |
| F18T8     | 2           | 34          | 0.49                 | 0.57         | 1.54         | 0.94           | 2.76                    | 130        |
| F17T8     | 2           | 36          | 0.52                 | 0.58         | 1.52         | 1.00           | 2.78                    | 130        |
| F15T8     | 2           | 31          | 0.46                 | 0.56         | 1.57         | 1.00           | 3.23                    | 130        |
| F15T12    | 2           | 31          | 0.46                 | 0.56         | 1.57         | 1.00           | 3.23                    | 130        |
| F14T8     | 2           | 27          | 0.41                 | 0.54         | 1.60         | 0.88           | 3.26                    | 130        |
| F14T12    | 2           | 27          | 0.41                 | 0.54         | 1.60         | 0.88           | 3.26                    | 130        |

**PERFORMANCE:**

- Sound Rated: A
- Minimum Starting Temperature: 0°F, -18°C
- Maximum Case Temperature: 167°F, 75°C
- Transient Protection meets ANSI/IEEE C62.41 Cat. A
- Lamp end-of-life protected
- Meets FCC Part 18 (Class B) Consumer Limits
- 3-Year Warranty

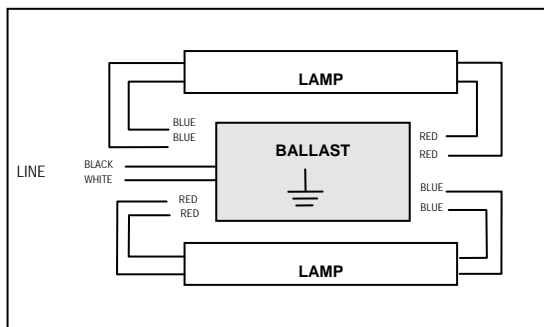
**APPROVALS:**

- UL, cUL 935 listed

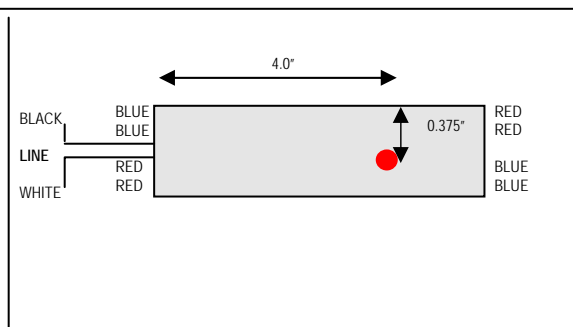
**PHYSICAL DIMENSIONS:**

|              |           |  |
|--------------|-----------|--|
| Length (L):  | 6.46"     |  |
| Width (W):   | 1.37"     |  |
| Height (H):  | 1.00"     |  |
| Mounting (M) | 6.00"     |  |
| Lead Length: |           |  |
| White, Black | 12" x 12" |  |
| Blue         | 18"       |  |
| Red          | 18"       |  |

**WIRING DIAGRAM:**



**HOT SPOT LOCATION:**



**KEYSTONE TECHNOLOGIES LLC.**  
P.O. Box 246, AMBLER, PENNSYLVANIA 19002  
PHONE: 215-283-2600  
FAX: 215-628-4412  
INFO@KEYSTONEBALLAST.COM  
WWW.KEYSTONEBALLAST.COM